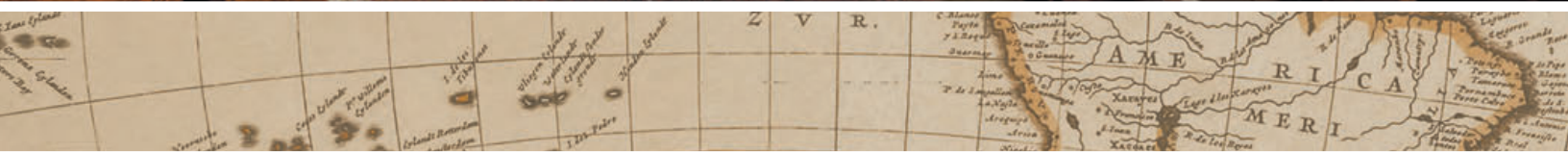


*Old World Elegance, Custom Made.*



*Old World  
Stoneworks™*

# *An Unrivaled Collection of Cast Stone Mantels and Range Hoods*

As a pioneer of the Cast Stone Fireplace Mantel industry nearly 20 years ago, we remain the leading manufacturer of stone fireplace mantels and now Cast Stone Range Hoods. We are famous not just because of our award winning products and designs, but for our unsurpassed customer service and satisfaction.

We do not sell “off the shelf” or “from stock”. Each product from our line is made to order with your own unique measurements, usually at NO EXTRA CHARGE. FREE scale drawings are also provided to you before the order is placed. Our custom sizing eliminates the need to force fit stock sizes and insures a perfect and beautiful installation every time!

## *How to Order*

It's easy. Call one of our technicians at 800-600-8336. After discussing the mantel or range hood you have selected from our line we will email to you a FREE scale drawing with your own unique dimensions and a complete quote including shipping cost. Just email us ([info@oldworldstoneworks.com](mailto:info@oldworldstoneworks.com)) the signed quote along with a copy of the deposit check (about 50%) and we will start the process to produce your mantel or range hood. Then mail us the hard copy of the deposit check and signed quote. We also accept credit cards. Production takes about 4 to 6 weeks.

If you don't find what you are looking for from our line, we will be happy to give you a quote on your own custom design.

## *Technical Support*

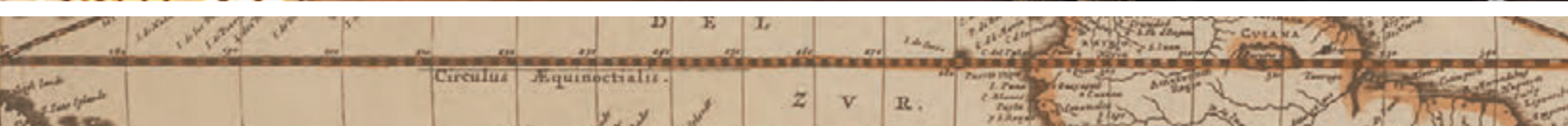
Our experienced staff is ready to serve you weekdays from 8:30 to 5:00 (CST), just call our toll free number. Mantel and Range Hood installation videos are available on our website.

## *Samples*

Because of color variations in printing, you are encouraged to request FREE samples of the stone to ensure your satisfaction.



If you have any questions please call us toll free 1.800.600.8336 or visit us on-line at:  
[www.oldworldstoneworks.com](http://www.oldworldstoneworks.com) to view our full line of products and services.



*Because we design and manufacture our own product and sell direct to you, the consumer, we are able to offer unrivaled pricing.\**

AutoCAD files available to Architects and Designers



*Amhurst*<sup>™</sup>



**36" Amhurst \$2,105**

Firebox: 36" x 36"  
Overall: 66-1/2" wide 55-11/16" tall

**42" Amhurst \$2,350**

(see drawing and photo)

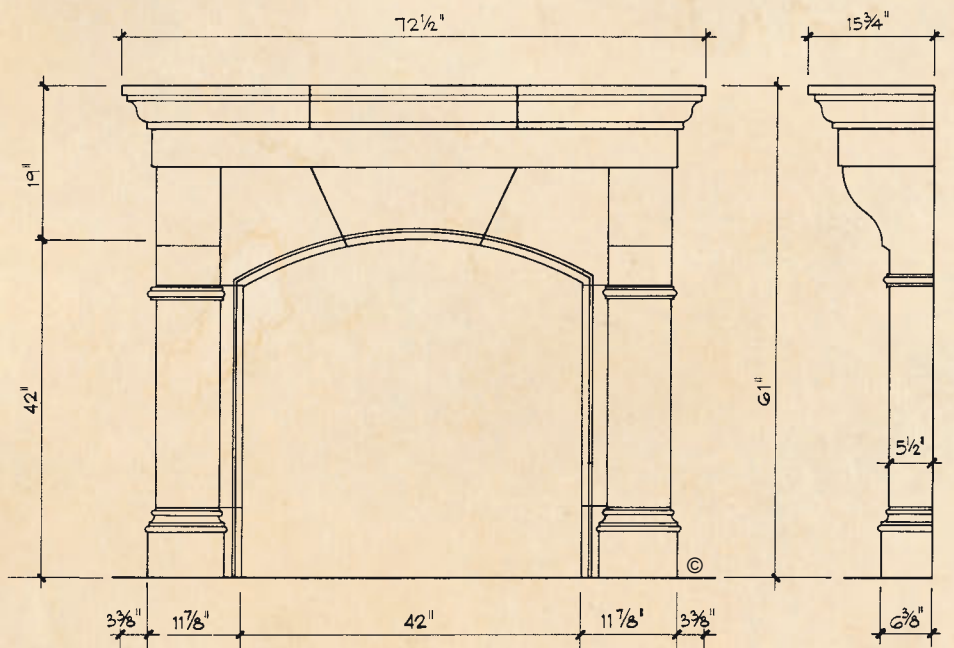
**48" Amhurst \$2,615**

Firebox: 48" x 48"  
Overall: 78-1/2" wide 66-5/16" tall

The Amhurst may be adapted to fit varying firebox heights.

Optional overmantels are available.  
(see page 43)

Please call for additional sizes.





# Avalon™

## 36" Avalon

**\$2,955**

(Does not include optional overmantel shown in photo)

Firebox: 36" x 36"

Overall: 69" wide 48-1/2" tall

## 42" Avalon

**\$3,395**

(Does not include optional overmantel shown in photo)

Firebox: 42" x 42"

Overall: 75" wide 54-1/2" tall

## 48" Avalon

**\$3,840**

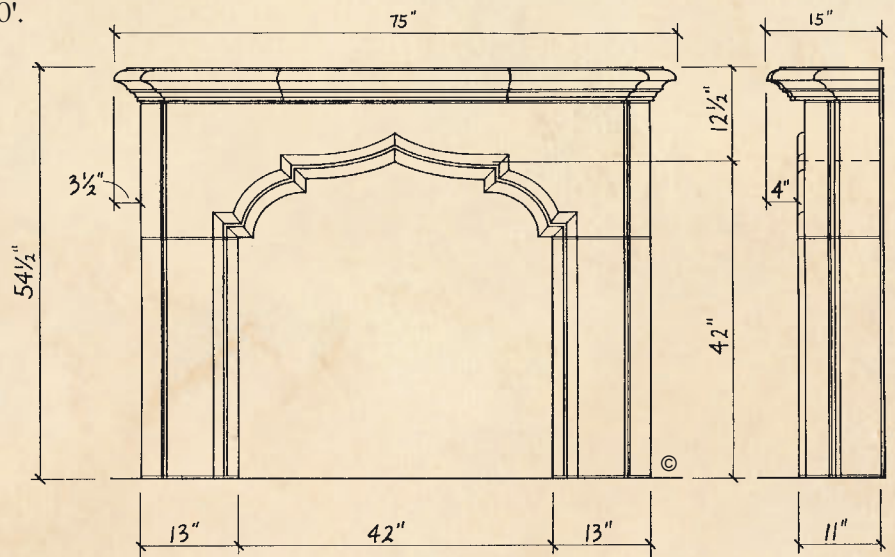
(Does not include optional overmantel shown in photo.)

Firebox: 48" x 42"

Overall: 81" wide 54-1/2" tall

The Avalon may be adapted to fit varying firebox heights.

42" firebox with #8 overmantel at 10'.  
Other overmantels are available.  
(see page 43)



# Avondale™

## 36" Avondale \$2,955

(Does not include optional overmantel shown in photo)

Firebox: 36" x 36"

Overall: 69" wide 46-1/2" tall

## 42" Avondale \$3,395

(Does not include optional overmantel shown in photo)

Firebox: 42" x 42"

Overall: 75" wide 52-1/2" tall

## 48" Avondale \$3,840

(Does not include optional overmantel shown in photo)

Firebox: 48" x 42"

Overall: 81" wide 52-1/2" tall

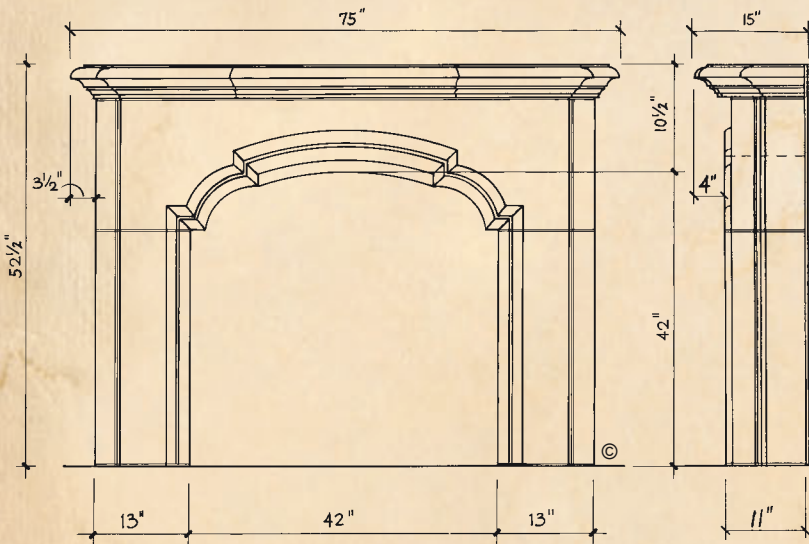
The Avondale may be adapted to fit varying firebox heights.



42" firebox with #9 optional overmantel at 10'.

Other overmantels are available.

(see page 43)



*Berkley*™



Custom size firebox shown in photo.

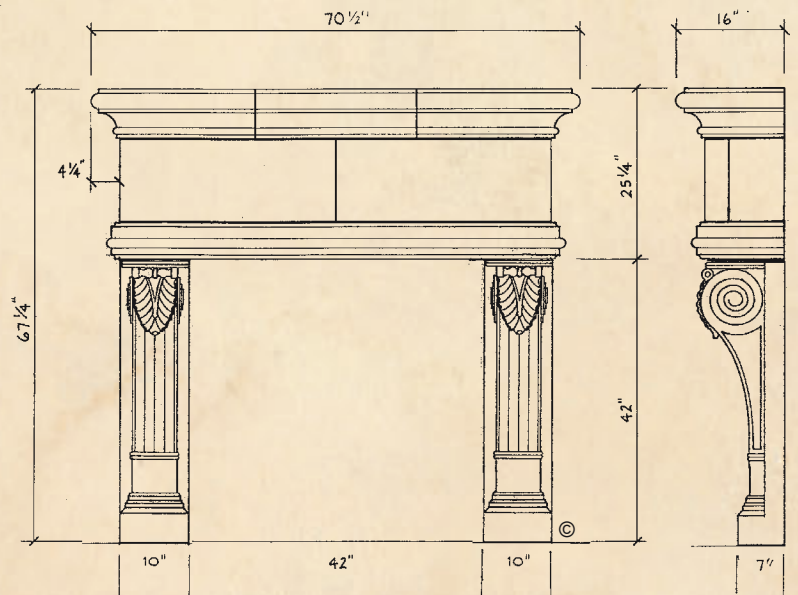
**42" Berkley**                      **\$3,250**  
(see drawing)

**48" Berkley**                      **\$3,365**  
Firebox: 48" x 42"  
Overall: 76-1/2" wide 67-1/4" tall

The Berkley may be adapted to fit  
varying firebox widths and heights.

Optional overmantels are available.  
(see page 43)

Also available with the lions paw leg.  
(see Nottingham page 27)



# Birmingham™



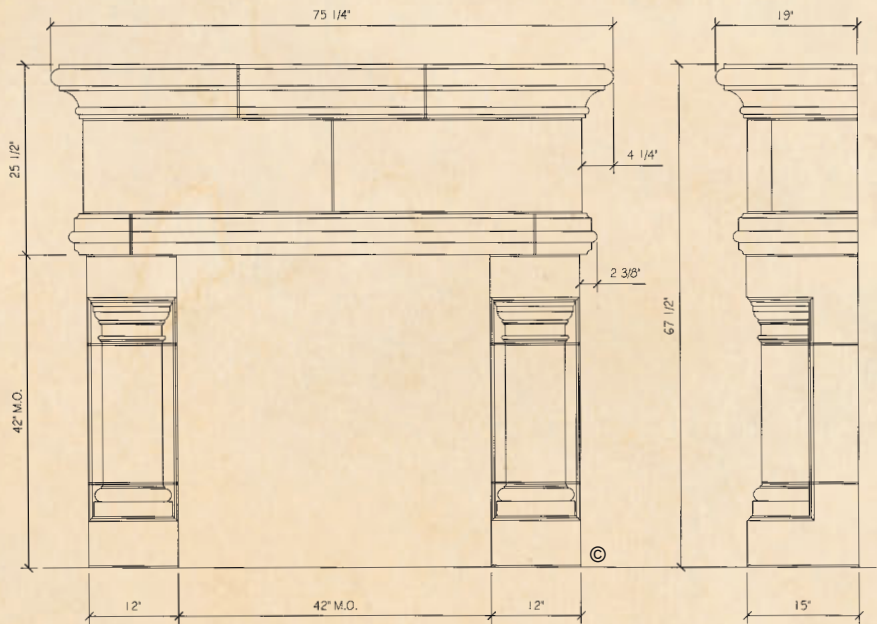
As featured on the cover of the Southern Accents Showhouse magazine.

**42" Birmingham**     \$3,860  
(see drawing)

**48" Birmingham**     \$4,105  
Firebox: 48" x 42"  
Overall: 81-1/4" wide 67-1/2" tall

The Birmingham may be adapted to fit  
varying firebox widths and heights.

Optional overmantels are available.  
(see page 43)

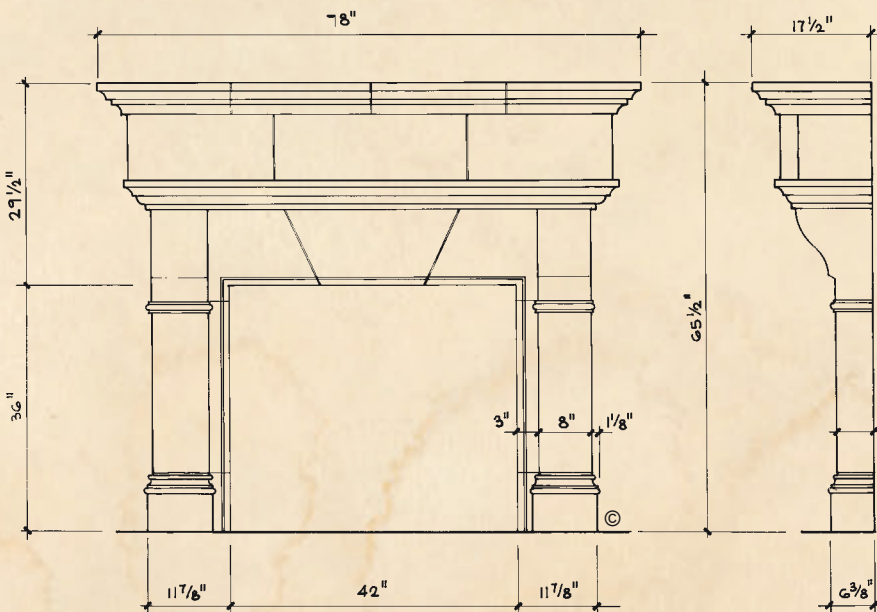




# Brunswick™



48" firebox shown in photo.



**42" Brunswick** \$3,040  
(see drawing)

**48" Brunswick** \$3,185  
Firebox: 48" x 42"  
Overall: 84" wide 71-1/2" tall

The Brunswick may be adapted to fit varying firebox widths and heights.

Optional overmantels are available.  
(see page 43)

# Calais™



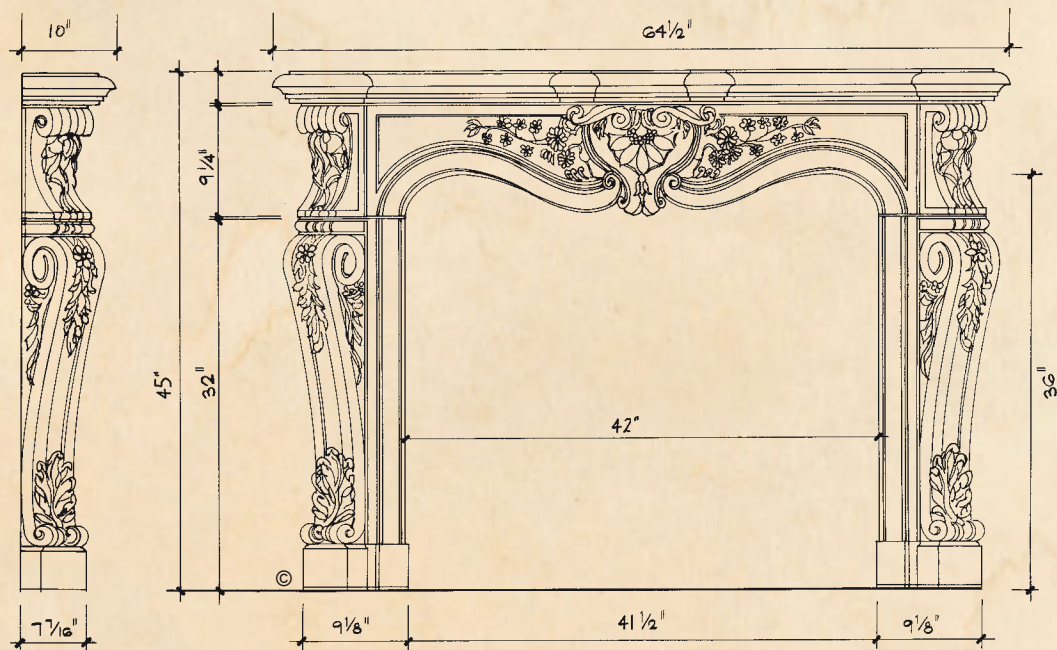
36" Calais      \$1,875

42" Calais      \$2,150  
(see drawing)

48" Calais      \$2,425

Various leg lengths are available.  
Call for details.

Optional #10 overmantel  
is available for the Calais.



# Cambridge™

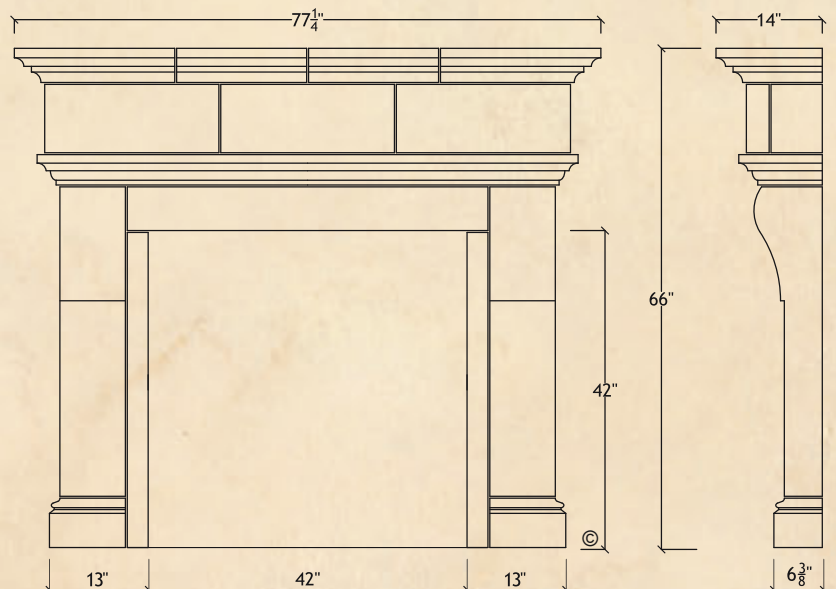


Photo contains an optional filler stone at bottom of firebox opening.

- 36" Cambridge      \$2,645
- 42" Cambridge      \$2,815
- 48" Cambridge      \$2,980

The Cambridge may be adapted to fit varying firebox widths and heights.

Optional overmantels are available.  
(see page 43)



Capri™



42" firebox with 14" raised hearth

**36" Capri**      \$1,510

Firebox: 36" x 36"

Overall: 63-1/4" wide 51-3/4" tall

**42" Capri**      \$1,575

(see drawing and photo)

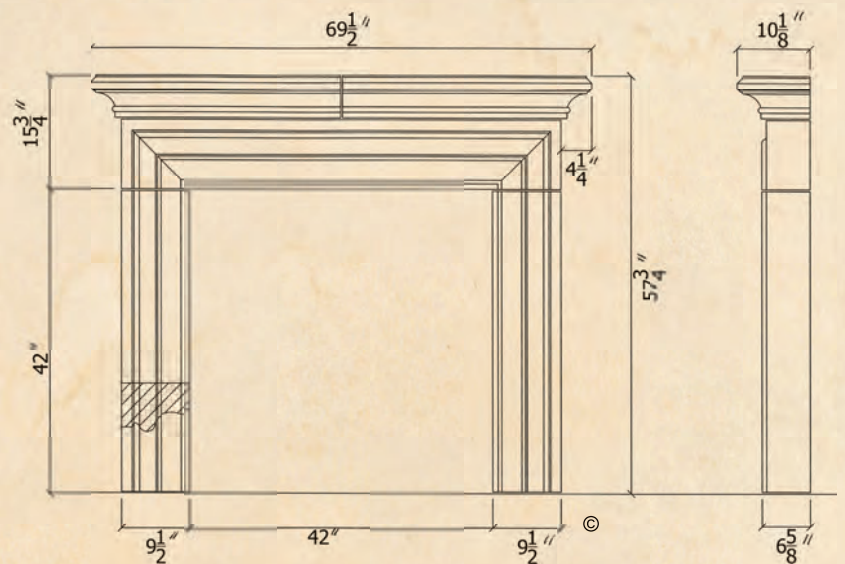
**48" Capri**      \$1,685

Firebox: 48" x 48"

Overall: 75-1/4" wide 64" tall

The Capri may be adapted to fit varying firebox heights.

Optional overmantels are available.  
(see page 43)



# Carved Brentwood™

**42" Carved Brentwood**    \$2,280

Available in 42" firebox only.  
Overall: 69" wide 57" tall

Also available:

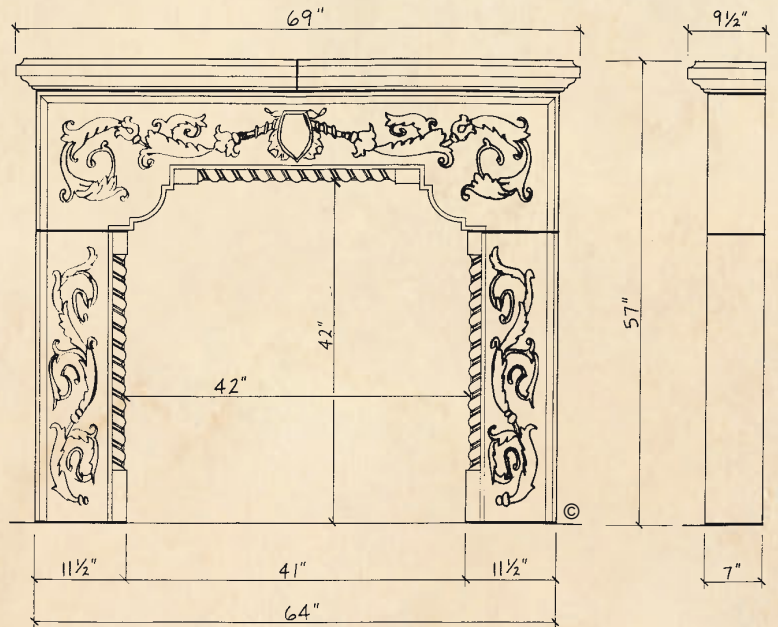
**42" Plain Brentwood**    \$2,280

Available in 42" firebox only.  
Overall: 69" wide 57" tall

Optional overmantels are available.  
(see page 43)



Plain Brentwood



# Cordova™



40" firebox and #5 overmantel.

## 42" Cordova \$4,355

(see drawing)  
Includes interior surround.

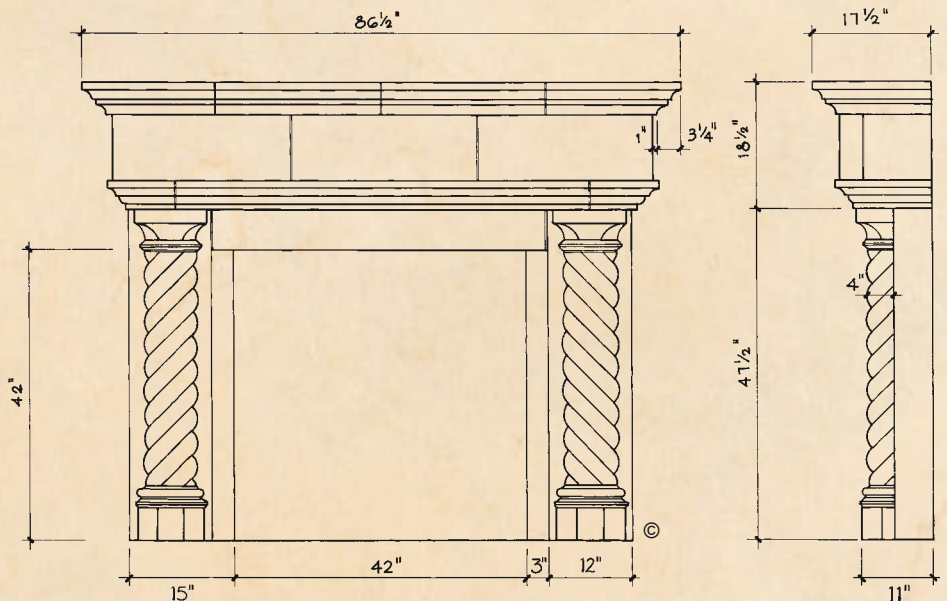
## 48" Cordova \$4,130

Firebox: 48" x 48"  
Overall: 86-1/2" wide 66" tall

The Cordova may be adapted to fit varying firebox widths and heights.

Optional custom interior surrounds are available for mantel styles with square firebox openings. See Cambridge on page 10.

Optional overmantels are available.  
(see page 43)





*Devon*™

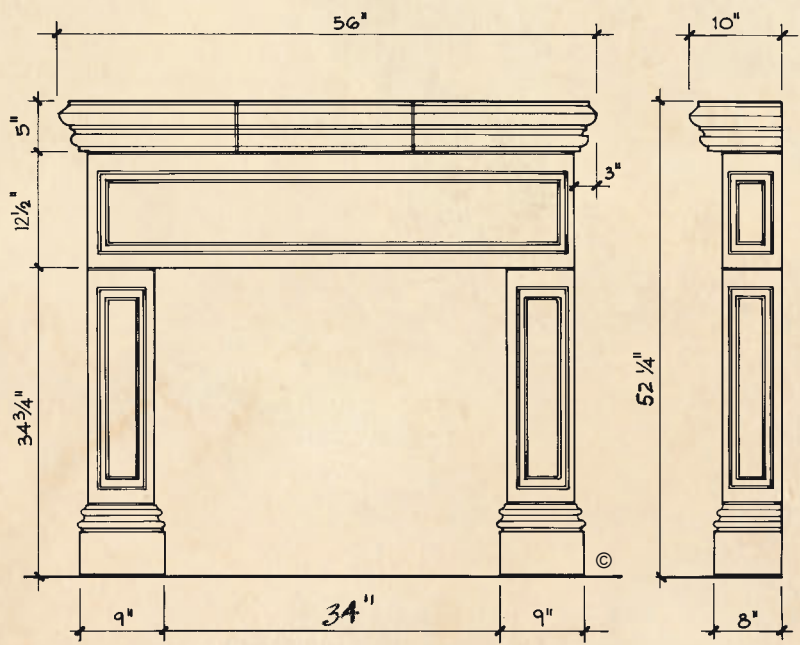
32" & 36" Devon \$1,670

38", 41" & 42" Devon \$1,730

45" Devon \$1,940

Various leg lengths are available.  
Call for details.

Optional overmantels are available.  
(see page 43)



**Essex™**



48" x 42" opening

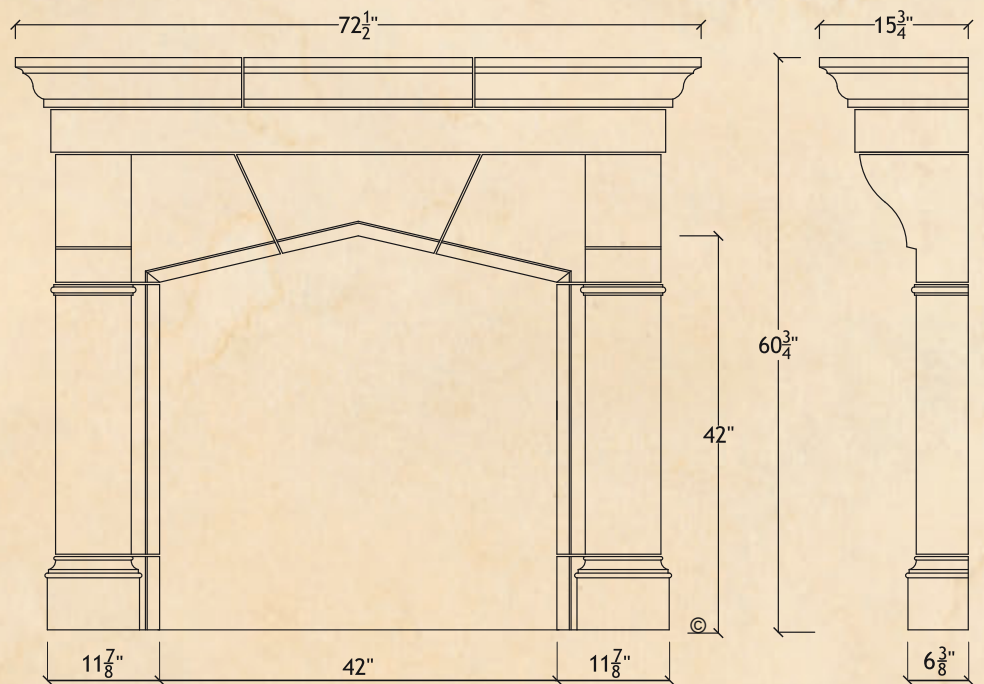
**36" Essex**      **\$2,105**  
 Firebox: 36" x 36"  
 Overall: 66-1/2" wide 55-11/16" tall

**42" Essex**      **\$2,355**  
 (see drawing)

**48" Essex**      **\$2,615**  
 Firebox: 48" x 48"  
 Overall: 78-1/2" wide 66-5/16" tall

The Essex may be adapted to fit varying firebox heights.

Optional overmantels are available.  
 (see page 43)





# Fairmount™



## 36" Fairmount \$1,215

Firebox: 36" x 36"  
Overall: 64" wide 51-3/4" tall  
(shown in photo)

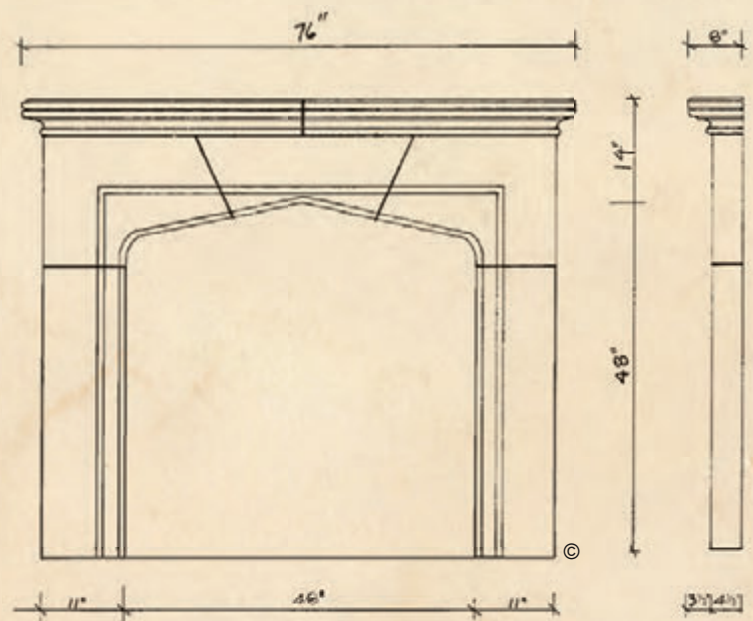
## 42" Fairmount \$1,275

Firebox: 42" x 42"  
Overall: 70" wide 56-1/2" tall

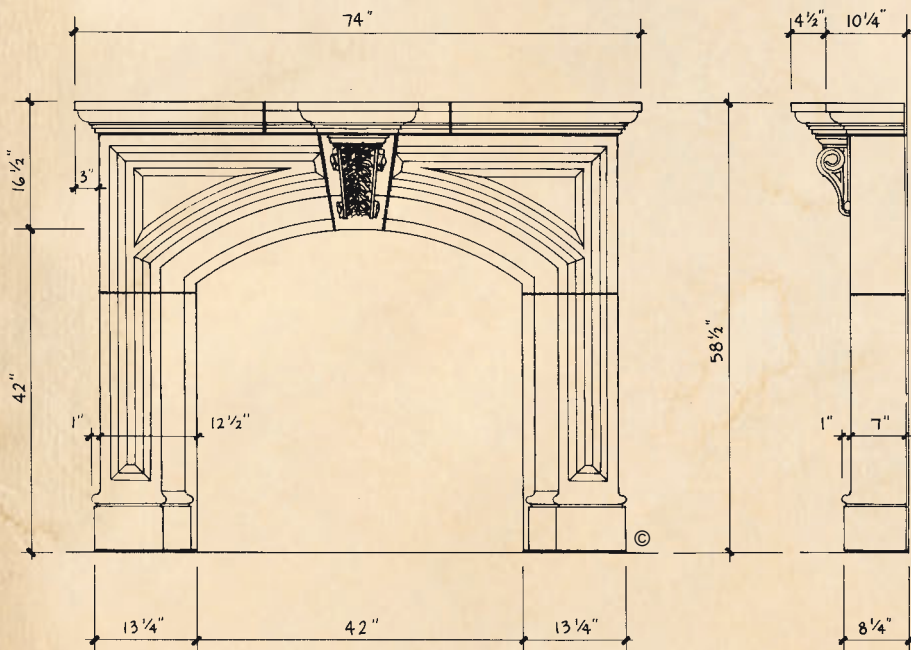
## 48" Fairmount \$1,335

(see drawing)

The Fairmount may be adapted to fit varying firebox heights.



# Fremont™



**36" Fremont**      \$2,460

Firebox: 36" x 36"  
Overall: 68" wide 52-1/2" tall

**42" Fremont**      \$2,885

(see drawing)

**48" Fremont**      \$3,040

Firebox: 48" x 42"  
Overall: 80" wide 58-1/2" tall

The Fremont may be adapted to fit varying firebox heights.

Optional overmantels are available.  
(see page 43)

*Gatwick™*



**36" Gatwick**                      **\$3,155**

Firebox: 36" x 30"  
Overall: 66-1/2" wide 64" tall

**42" Gatwick**                      **\$3,386**

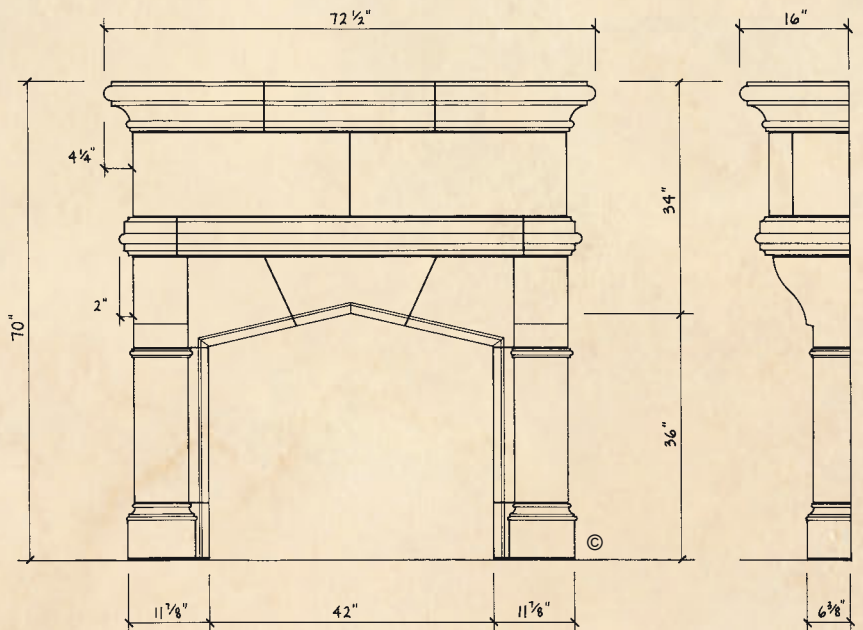
(see drawing)

**48" Gatwick**                      **\$3,615**

Firebox: 48" x 42"  
Overall: 78-1/2" wide 76" tall

The Gatwick may be adapted to fit varying firebox heights.

Optional overmantels are available.  
(see page 43)



*Hampton*<sup>TM</sup>



48" x 48" firebox shown in photo.

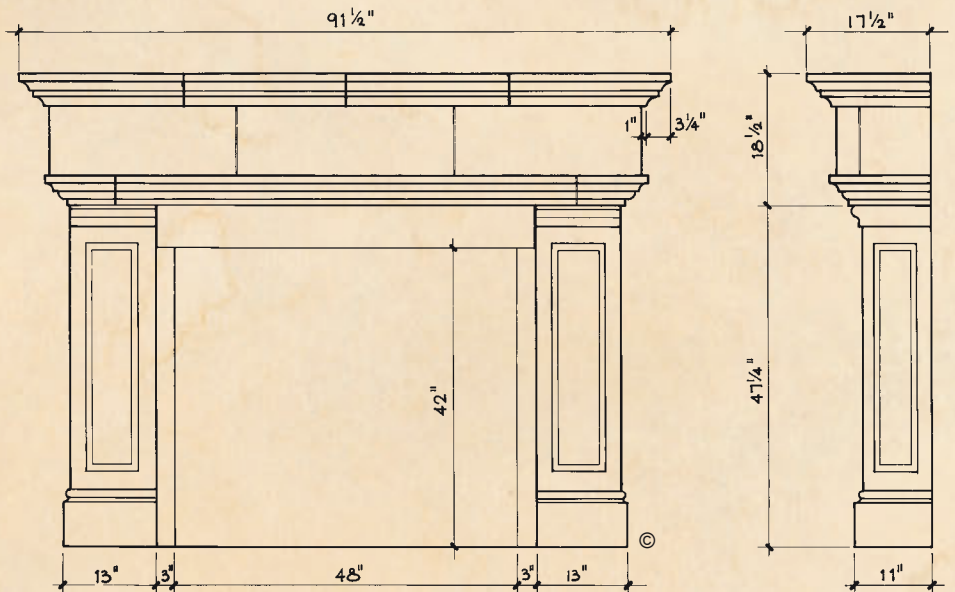
**48" Hampton**  
(see drawing)

**\$4,290**

Includes interior surround.

The Hampton may be adapted to fit varying firebox widths and heights by adjusting the interior surround.

Optional overmantels are available.  
(see page 43)



# Laurent™

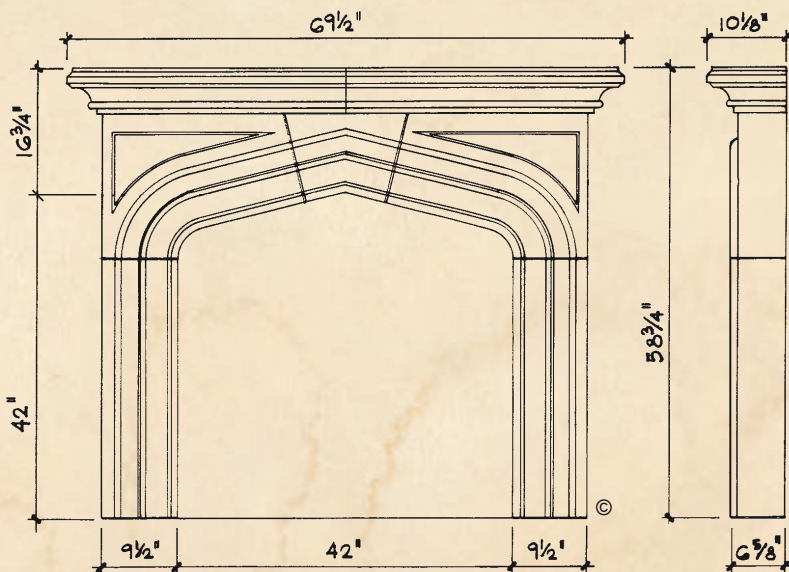


**36" Laurent**    \$1,730  
 Firebox: 36" x 36"  
 Overall: 63-1/4" wide 53-7/16" tall

**42" Laurent**    \$1,800  
 (shown in photo and drawing)

**48" Laurent**    \$1,910  
 Firebox: 48" x 48"  
 Overall 75-1/4" wide 64" tall

**60" Laurent**    \$3,085  
 Call for specifications and drawing.



The Laurent may be adapted to fit varying firebox heights.

Optional overmantels are available.  
 (see page 43)

# Lexington™



36" x 30" firebox shown in photo.

## 36" Lexington

**\$2,860**

Firebox: 36" x 36"

Overall: 72" wide 63" tall

## 42" Lexington

**\$3,075**

(see drawing)

## 48" Lexington

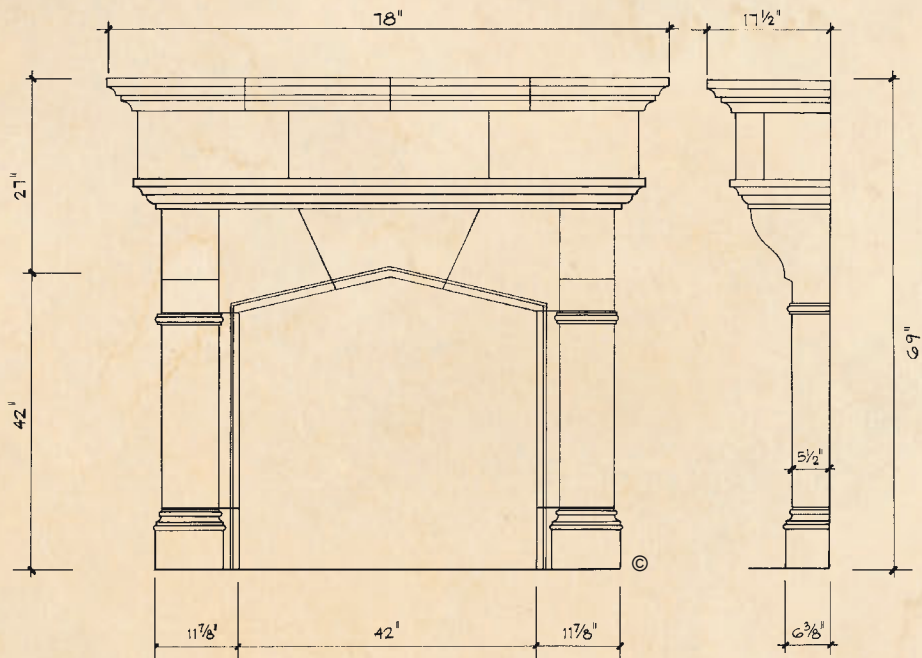
**\$3,160**

Firebox: 48" x 48"

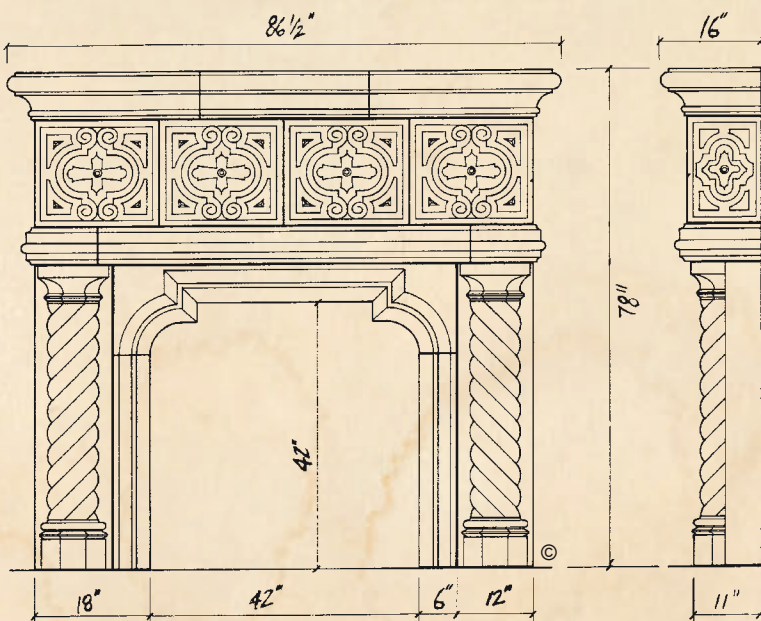
Overall: 84" wide 75" tall

The Lexington may be adapted to fit varying firebox heights.

Optional overmantels are available.  
(see page 43)



# Majorca™



## 33" Majorca \$4,760

Firebox: 33" x 36"  
Overall: 77-1/2" wide 72" tall  
(call for drawing)

## 42" Majorca \$5,245

(see drawing)

The Majorca may be adapted to fit varying firebox widths and heights.

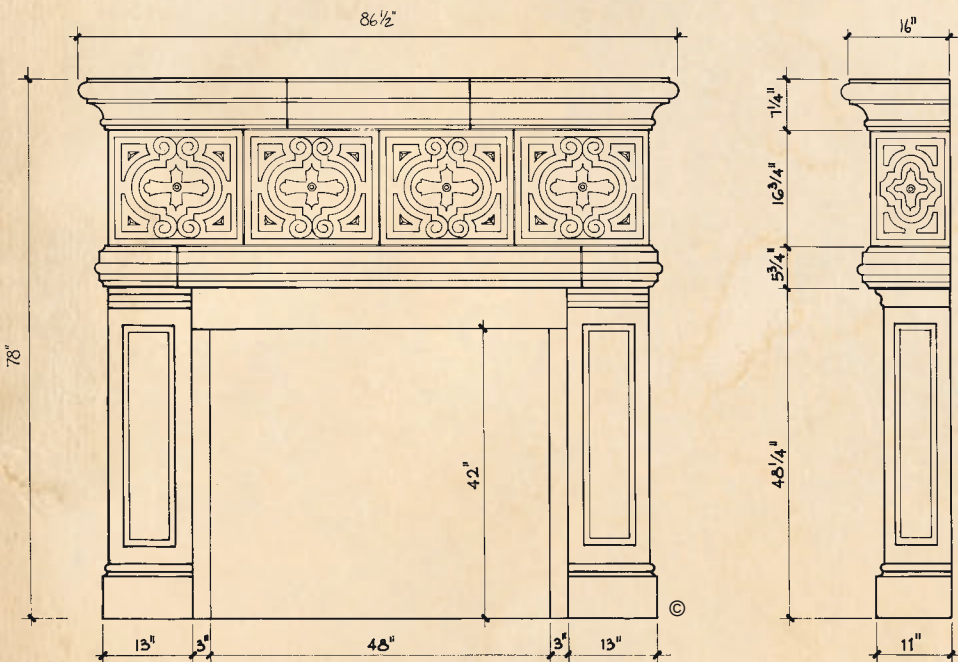
Optional overmantels are available.  
(see page 43)



# Manchester™



48" firebox and optional bullnosed hearth shown in photo.



**48" Manchester \$5,060**

(see drawing)  
Includes interior surround.

The Manchester may be adapted to fit varying firebox widths and heights.

Optional overmantels are available.  
(see page 43)





*Mandalay*<sup>TM</sup>

**42" Mandalay \$3,385**

Firebox: 42" x 42"  
Overall: 72-1/2" wide 79" tall

**48" Mandalay \$3,615**

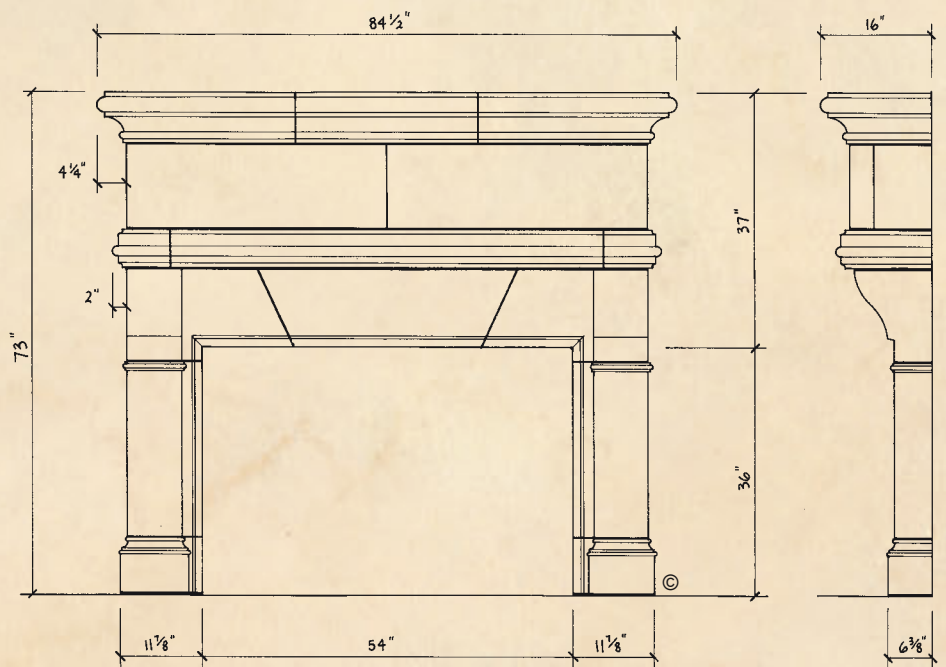
Firebox: 48" x 48"  
Overall: 78-1/2" wide 85" tall

**54" Mandalay \$3,850**

(see drawing)

The Mandalay may be adapted to fit varying firebox widths and heights.

Optional overmantels are available.  
(see page 43)



*Montgomery*<sup>TM</sup>



**36" Montgomery \$1,310**

Firebox: 36" x 36"

Overall: 64-1/2" wide 51-1/2" tall

**42" Montgomery \$1,370**

(see drawing)

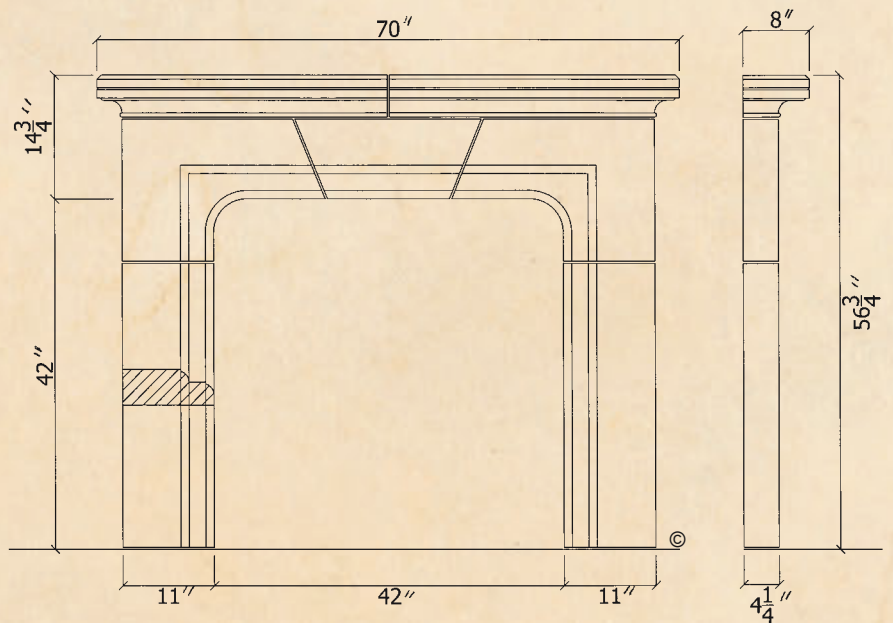
**48" Montgomery \$1,420**

Firebox: 48" x 48"

Overall: 76-1/2" wide 62-1/2" tall

The Montgomery may be adapted to fit varying firebox widths and heights.

Optional overmantels are available.  
(see page 43)





*Normandy*<sup>TM</sup>

**36" Normandy**      \$2,860

Firebox: 36" x 36"  
Overall: 71-1/4" wide 63" tall

**42" Normandy**      \$3,075

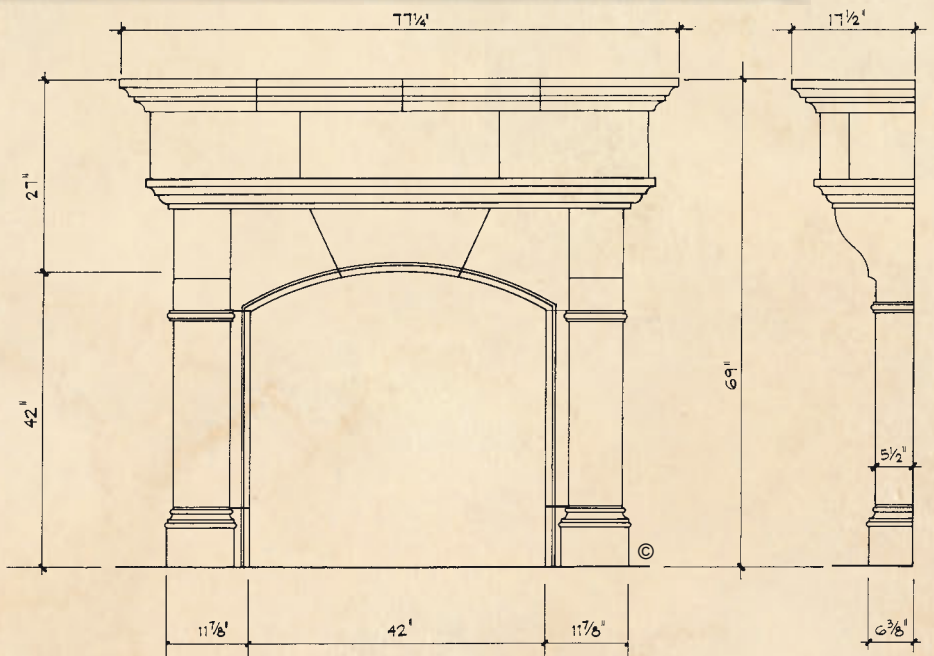
(see drawing)

**48" Normandy**      \$3,160

Firebox: 48" x 48"  
Overall: 83-1/4" wide 75" tall

The Normandy may be adapted to fit varying firebox heights.

Optional overmantels are available.  
(see page 43)



# Nottingham™



48" firebox shown in photo.

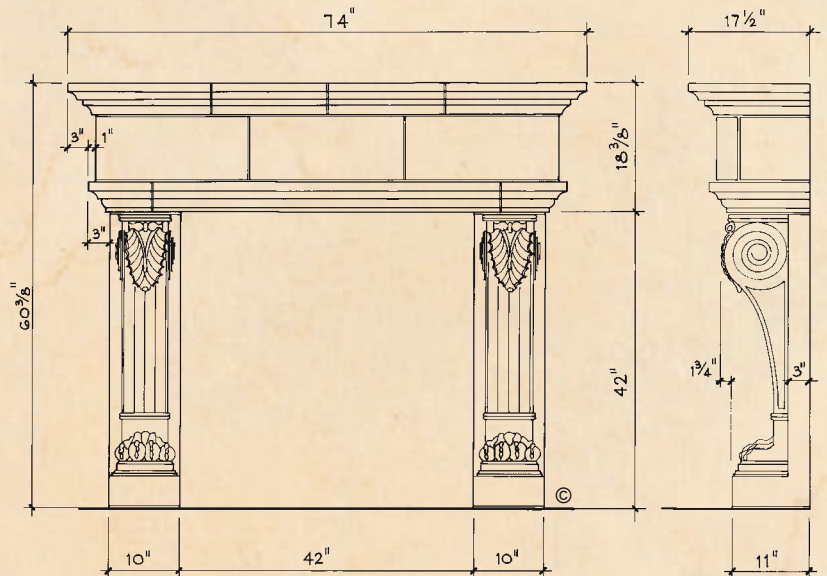
**42" Nottingham**     **\$3,075**  
(see drawing)

**48" Nottingham**     **\$3,205**  
Firebox: 48" x 42"  
Overall: 80" wide 60-3/8" tall

The Nottingham may be adapted to fit  
varying firebox widths and heights.

Optional overmantels are available.  
(see page 43)

Also available without the lions paw leg.  
(see Berkley page 6)



*Oxford*™



**36" Oxford**      **\$1,665**

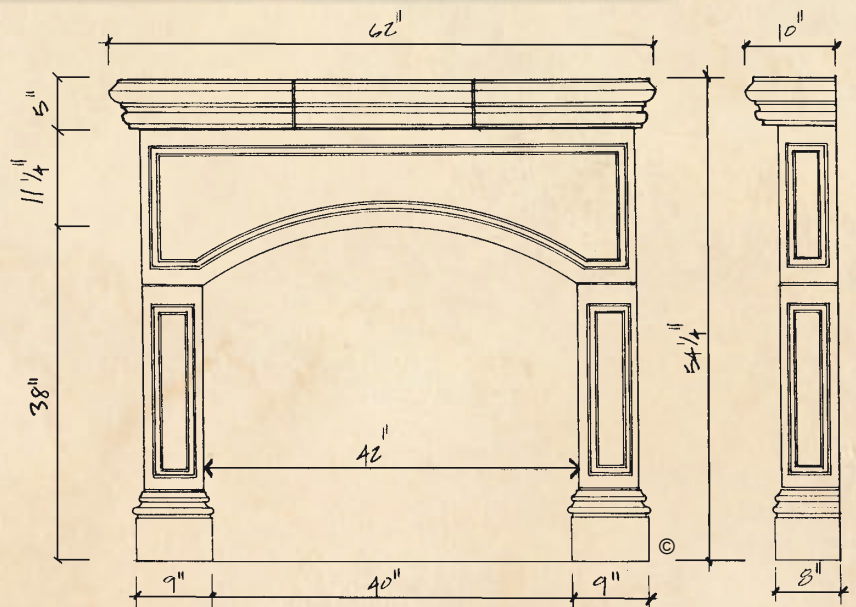
Firebox: 36" x 33"  
Overall: 56" wide 49-1/4" tall

**42" Oxford**      **\$1,730**

(Shown in photo and drawing)

The Oxford may be adapted for various firebox heights.

Optional overmantels are available.  
(see page 43)



*Palermo*™

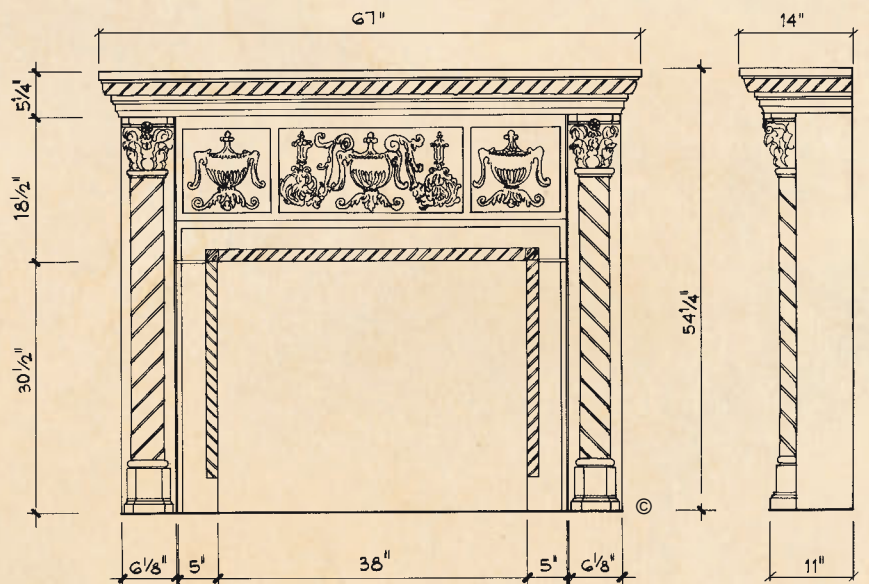


**38" Palermo \$3,395**

Firebox: 38" x 30-1/2"

Overall 67" wide 54-1/4" tall

Optional overmantels are available.  
(see page 43)



*Rosamond*™



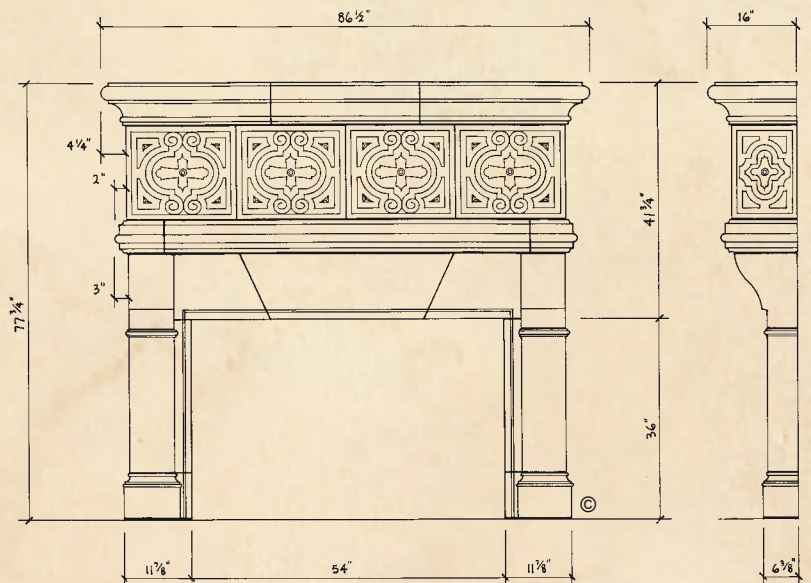
**54" Rosamond \$5,345**

Firebox: 54" x 36"

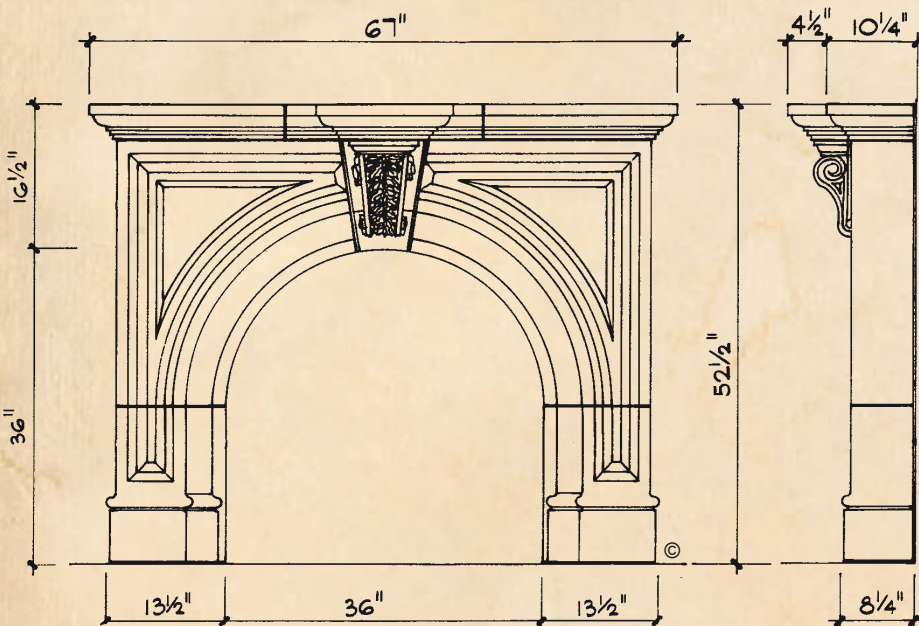
Overall: 86" wide 77-3/4" tall

The Rosamond may be adapted to fit varying firebox widths and heights.

Optional overmantels are available.  
(see page 43)



*Rothton™*



**36" Rothton**      \$2,240  
(see drawing)

**42" Rothton**      \$2,695  
Firebox: 42" x 42"  
Overall: 73" wide 58-1/2" tall

The Rothton may be adapted to fit varying firebox heights.

Optional overmantels are available.  
(see page 43)





*Sheridan™*

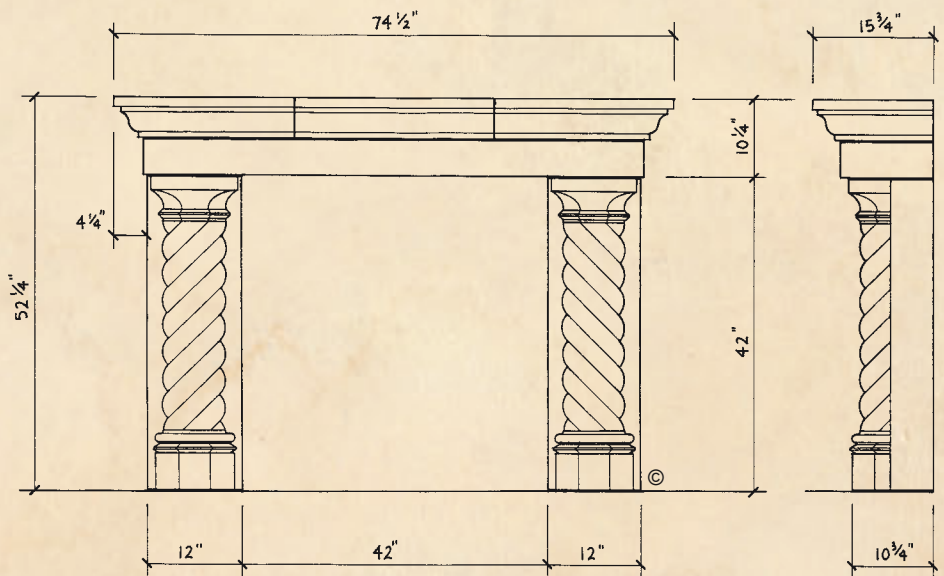
42" firebox shown in photo.

**42" Sheridan**      **\$2,710**  
(see drawing)

**48" Sheridan**      **\$2,845**  
Firebox: 48" x 48"  
Overall: 80-1/2" wide 58-1/4" tall  
Does not include interior surround.

The Sheridan may be adapted to fit varying firebox widths and different heights by adjusting the interior surround or by using our 48" spiral leg.

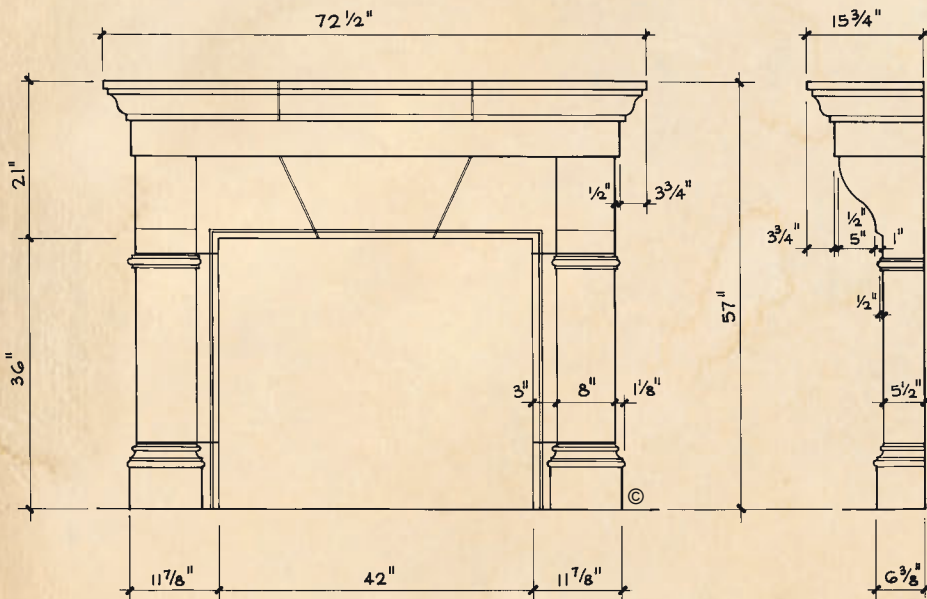
Optional overmantels are available.  
(see page 43)



# Stamford™



42" x 46" firebox shown in photo.



**42" Stamford**      \$2,350  
(see drawing)

**48" Stamford**      \$2,615  
Firebox: 48" x 42"  
Overall: 78-1/2" wide 63" tall

The Stamford may be adapted to fit varying firebox widths and heights.

Optional overmantels are available.  
(see page 43)

Stoneleigh™



54" x 42" firebox shown in photo.

**48" Stoneleigh**

(see drawing)

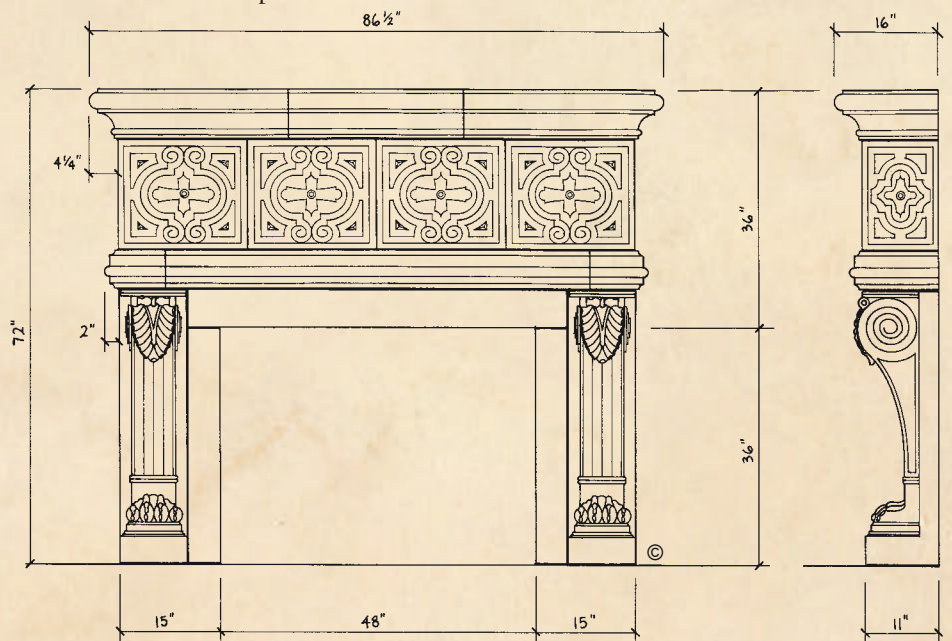
**\$5,470**

Includes interior surround.

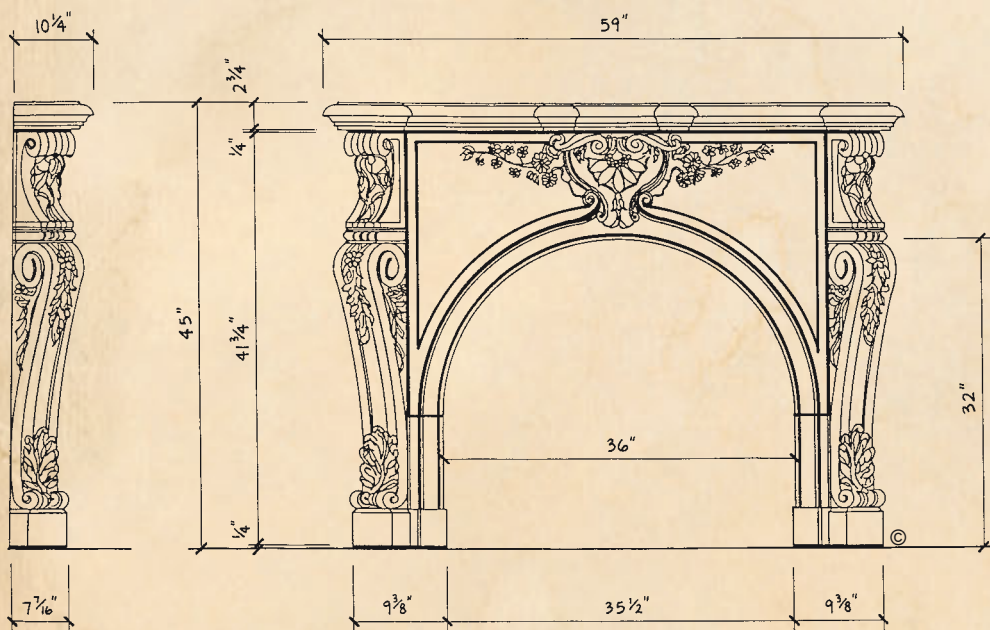
The Stoneleigh may be adapted to fit varying firebox widths and heights by adjusting the interior surround.

Optional overmantels are available.  
(see page 43)

Also available without the lions paw leg.  
(see Berkley page 6)



# Taunton™



**Taunton \$2,425**

Firebox: 36" x 32"

Overall: 59" wide 45" tall

The Taunton is available in a 36" firebox opening only.

Optional #10 overmantel is available for the Taunton.

# Tuscan™

Firebox width is adaptable from 36" to 60" opening. Available in varying firebox heights.

Optional overmantels are available.  
(see page 43)



Photo shows #II overmantel at II' overall height.

## 42" Tuscan

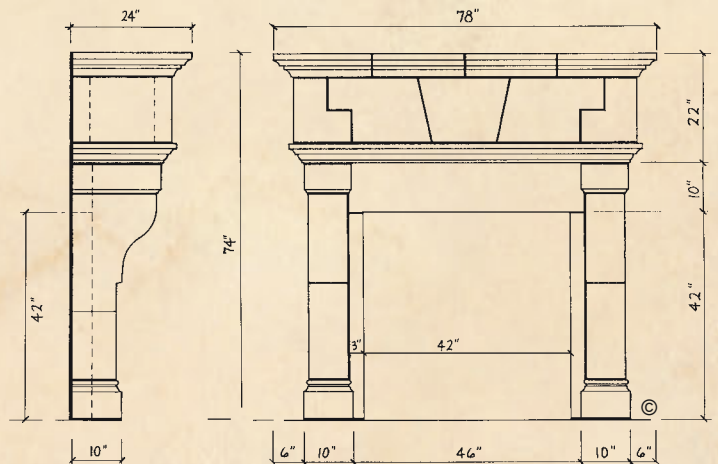
(Includes interior surround shown in drawing)

\$4,070

## 48" Tuscan

(No interior surround)

\$3,845



# Verona™

The hand carving and distress on the Verona mantel piece were painstakingly recreated to enhance its old world appearance and evoke the authenticity of a mantel a century old.

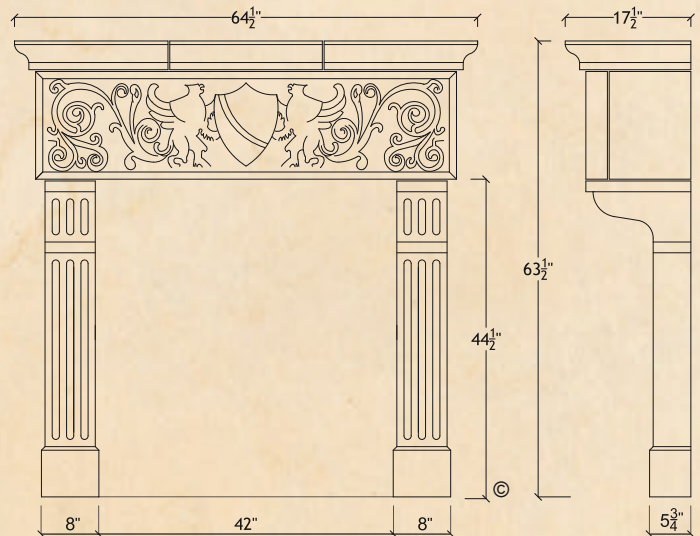


## 42" Verona

\$2,375

Firebox: 42" x 44-1/2"

Overall: 64-1/2" wide 63-1/2" tall



*Victoria*™



54" x 42" firebox shown in photo.

**42" Victoria**

**\$4,105**

(See drawing)

Includes interior surround.

**48" Victoria**

**\$3,860**

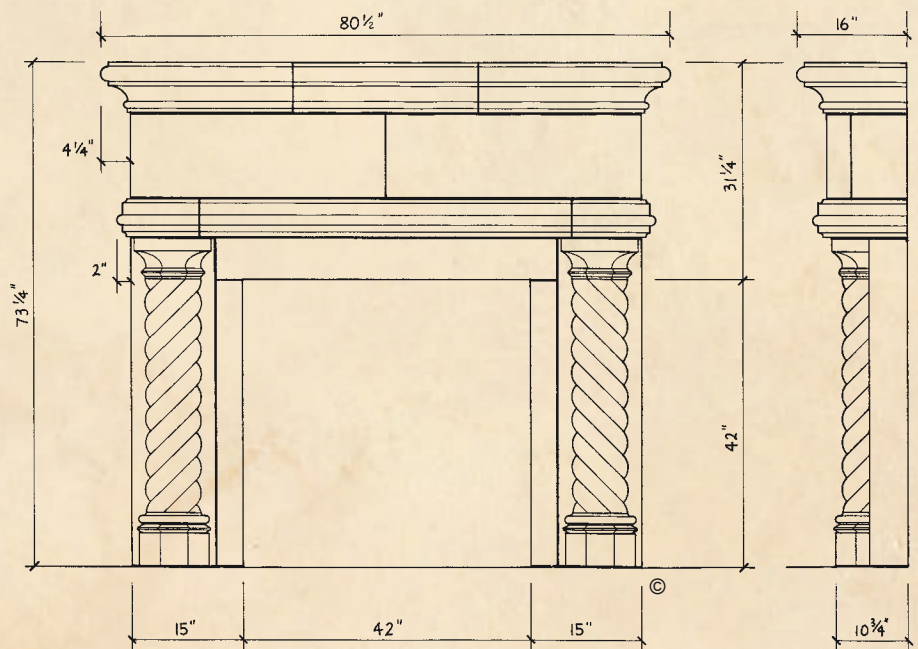
Firebox: 48" x 48"

Overall: 80-1/2" wide 73-1/4" tall

(no interior surround)

The Victoria may be adapted to fit varying firebox widths and heights.

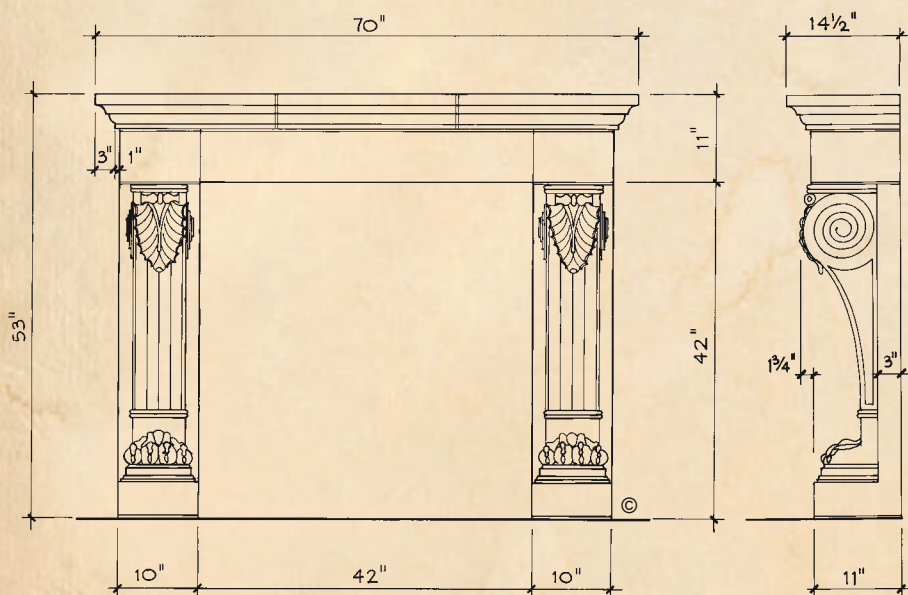
Optional overmantels are available.  
(see page 43)



# Wellington™



48" firebox shown in photo.



**42" Wellington**      \$2,530  
(see drawing)

**48" Wellington**      \$2,620  
Firebox: 48" x 42"  
Overall: 76" wide 53" tall

The Wellington may be adapted to fit varying firebox widths and heights.

Optional overmantels are available.  
(see page 43)

Also available without the lions paw leg.  
(see Berkley page 6)



*Whitmoore*™



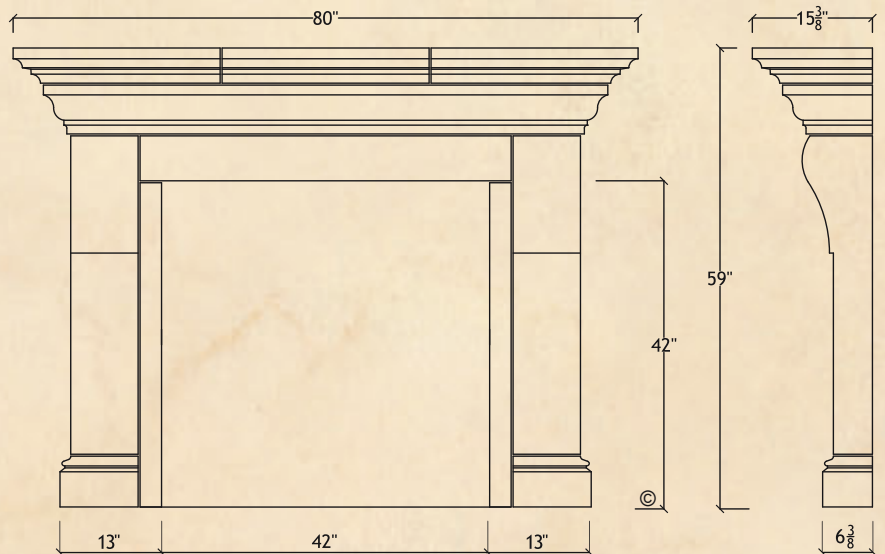
**42" Whitmoore**    \$2,235  
 (Shown in drawing and photo)

**48" Whitmoore**    \$2,360

Firebox: 48" x 42"  
 Overall: 86" wide 59" tall

The Whitmoore may be adapted to fit  
 varying firebox widths and heights.

Optional overmantels are available.  
 (see page 43)



# Wilshire™



42" firebox with #9 overmantel

## 36" Wilshire

Firebox: 36" x 36"  
Overall: 66-1/2" wide 70" tall

**\$3,085**

## 42" Wilshire

(see drawing)

**\$3,250**

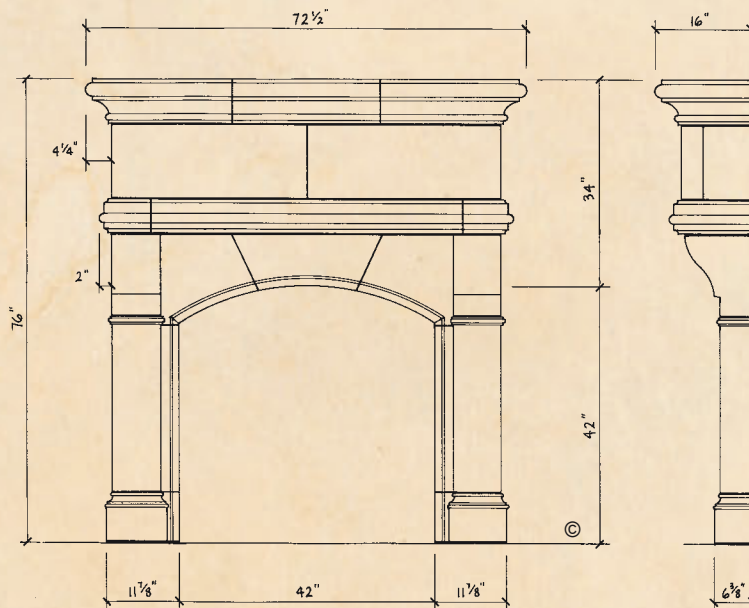
## 48" Wilshire

Firebox: 48" x 48"  
Overall: 78-1/2" wide 82" tall

**\$3,415**

The Wilshire may be adapted to fit varying firebox heights.

Optional overmantels are available.  
(see page 43)



# Windsor™



48" x 48" firebox shown in photo

## 36" Windsor

Firebox: 36 "x 36"  
Overall: 74-1/2" wide 68" tall

**\$4,065**

## 42" Windsor

Firebox: 42 "x 42"  
Overall: 80-1/2" wide 74" tall

**\$4,225**

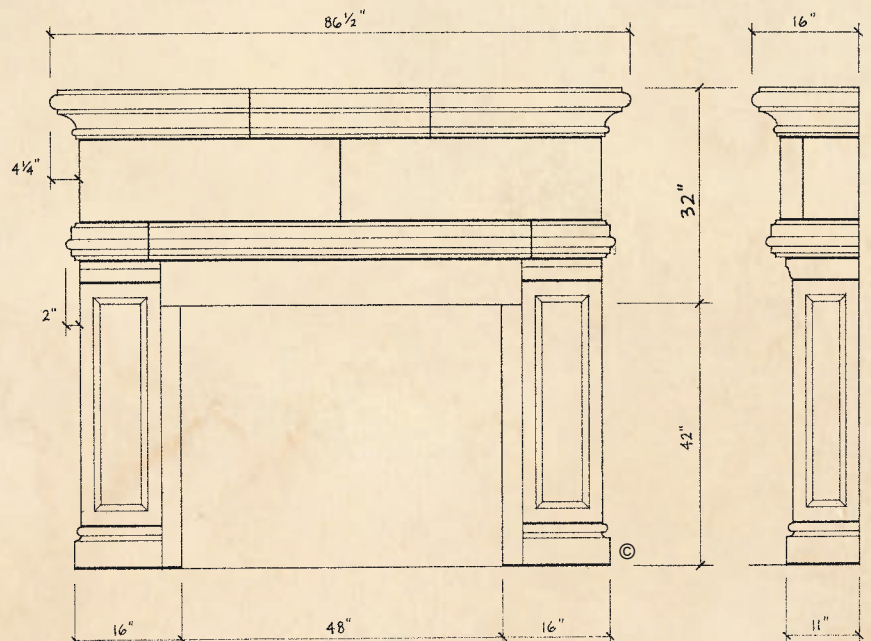
## 48" Windsor

(see drawing)

**\$4,545**

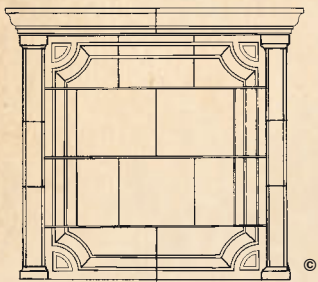
The Windsor may be adapted to fit varying firebox widths and heights.

Optional overmantels are available.  
(see page 43)

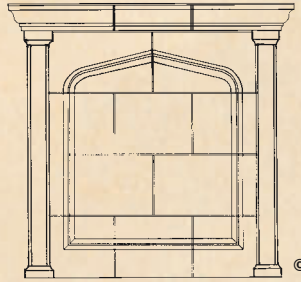


# Overmantels

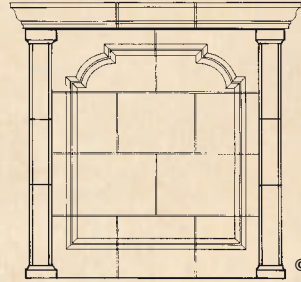
An overmantel (or trumeaux in French) is the stone structure above the fireplace. Centuries ago the trumeaux actually served as a smoke chamber, flue and chimney. Today the overmantel is purely decorative. We offer twelve styles of overmantels which can be used with any of our mantels and may also be customized to fit any width and height.



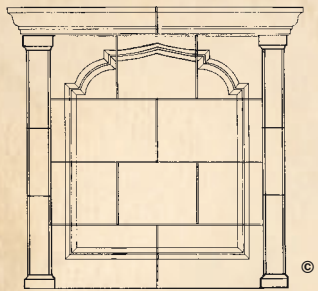
#1



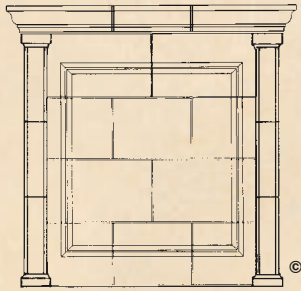
#2



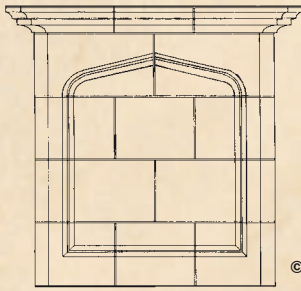
#3



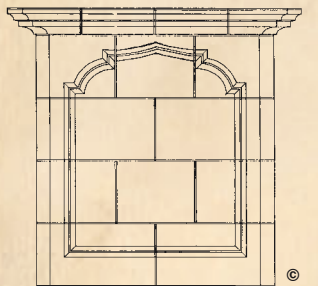
#4



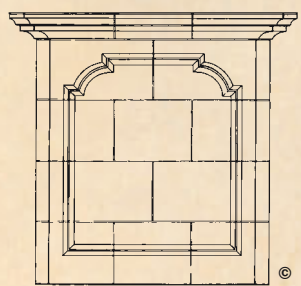
#5



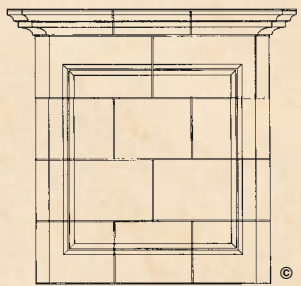
#6



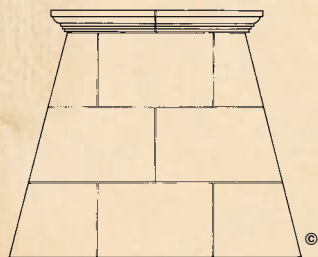
#7



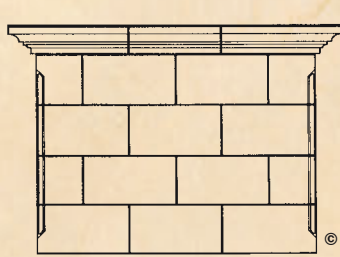
#8



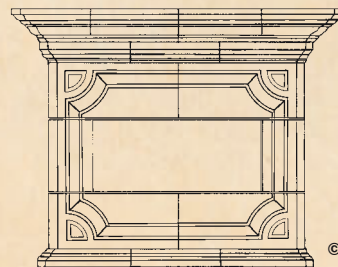
#9



#10



#11



#12



Overmantel #9  
(shown with Wilshire)



Overmantel #8  
(shown with Avalon)



Overmantel #5  
(shown with Cordova)

# Optional Items



Overmantel #11  
(shown with Normandy)



Overmantel #10  
(shown with Carved Brentwood)

## Hearths

### Standard

\$350

Available with Beveled or Non-beveled edge  
Dimensions: (Mantel Cap length") x 20" x 2-3/4"

### Raised

\$600

Dimensions: (Mantel Cap length") x 20" x (up to 15")

### Bullnosed

\$500

Dimensions: (Mantel Cap length") x 20" x 3-3/4"

### Raised Bullnosed

\$750

Dimensions: (Mantel Cap length") x 20" x (up to 15")

## Overmantels

Prices vary according to size. Below are examples:

#1 through #5 68" wide x 65-1/2" tall \$2,700

#6 through #9 68" wide x 65-1/2" tall \$2,510

#10 50" wide at cap x 49" tall \$1,975

#11 67-1/2" wide x 46" tall \$2,195

#12 75-3/4" wide x 60" tall \$2,195

## Colors

Cream (standard)

No charge

Buff (One time charge)

\$150

## Shipping Information

Crate Larger mantels may require 2 crates.

\$200

Freight

Varies

Freight charges are calculated according to the weight and shipping destination.

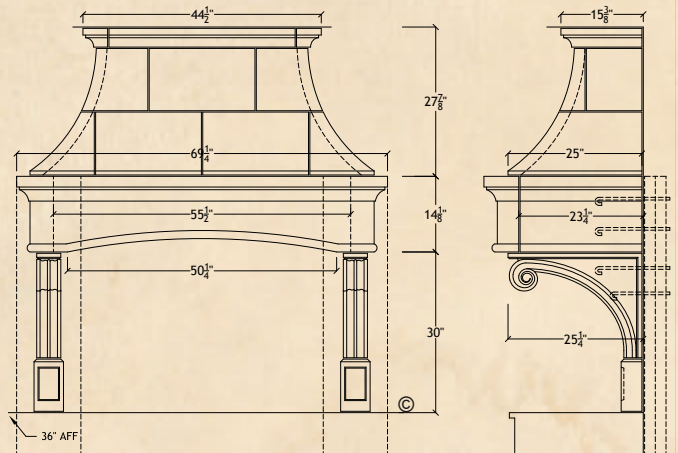
# Range Hoods

All pricing based on 9' ceiling. \$350 per foot up to 11'.



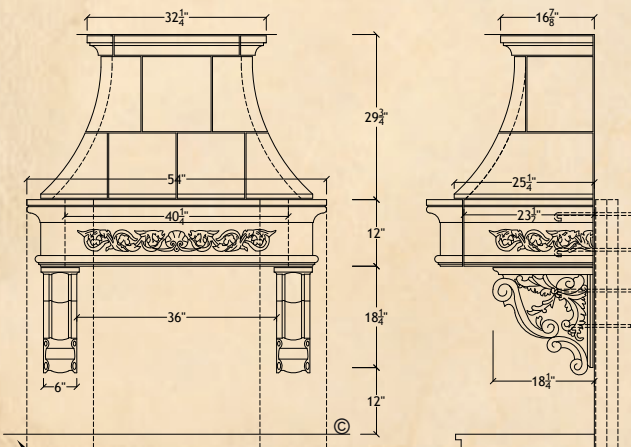
*Bentwood*™

36" Bentwood	\$2,550
42" Bentwood	\$2,980
48" Bentwood	\$3,445
60" Bentwood	\$3,865



48" Bentwood Range Hood for 9' ceiling

36" Le Petite	\$2,550
42" Le Petite	\$2,980
48" Le Petite	\$3,445
60" Le Petite	\$3,865



36" Le Petite Range Hood for 9' ceiling

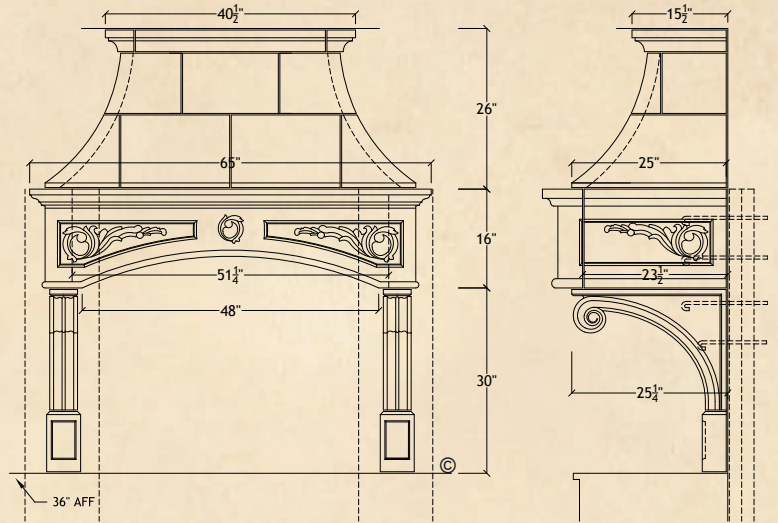


*Le Petite*™



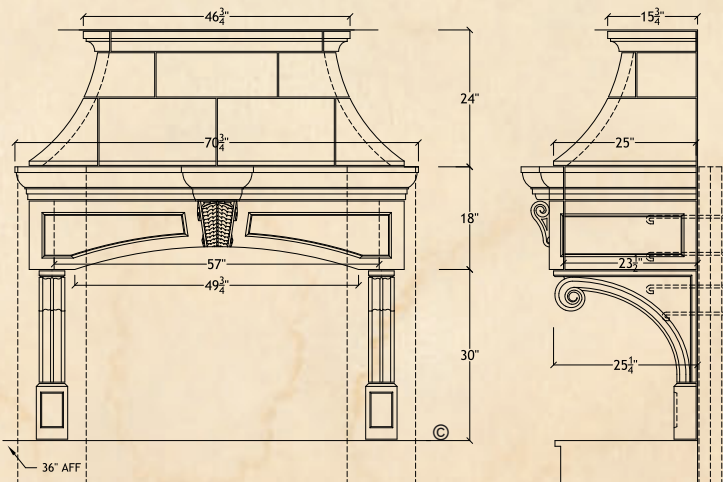
*Florentine*™

36" Florentine	\$2,750
42" Florentine	\$3,180
48" Florentine	\$3,620
60" Florentine	\$4,060



48" Florentine Range Hood for 9' ceiling

36" Rothchild	\$2,750
42" Rothchild	\$3,180
48" Rothchild	\$3,620
60" Rothchild	\$4,060



48" Rothchild Range Hood for 9' ceiling



*Rothchild*™

*Tuscany*<sup>™</sup>

36" Tuscany

\$3,840

42" Tuscany

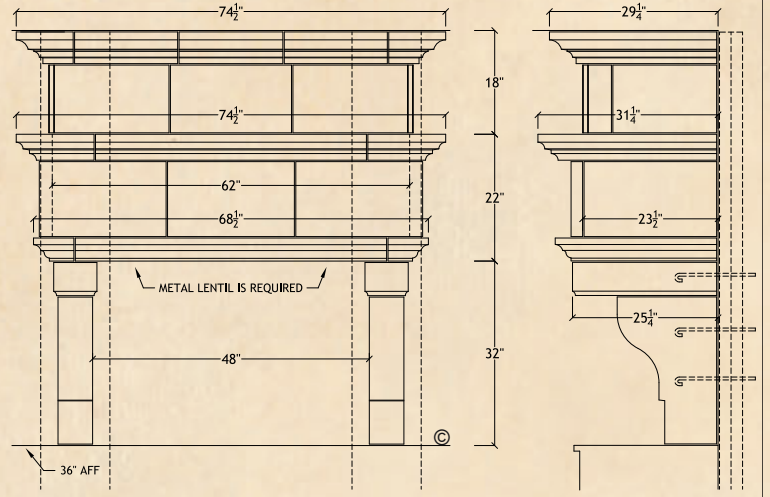
\$4,100

48" Tuscany

\$4,360

60" Tuscany

\$4,625



48" Tuscany Range Hood for 9' ceiling

36" Waverley

\$3,840

42" Waverley

\$4,100

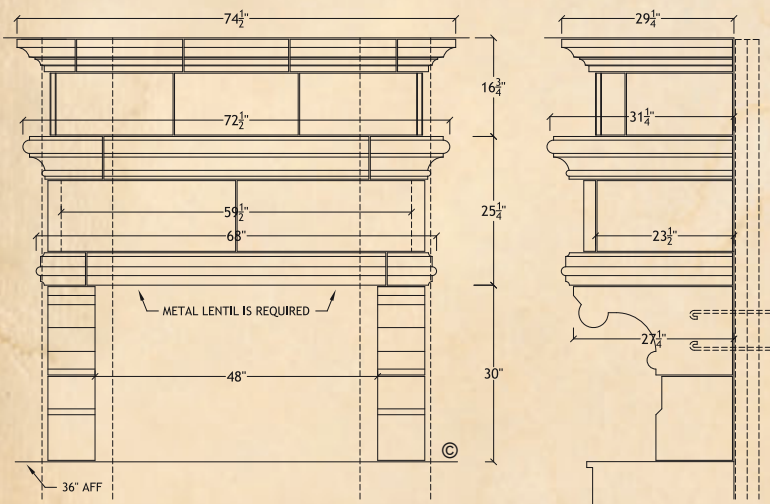
48" Waverley

\$4,360

60" Waverley

\$4,625

*Waverley*<sup>™</sup>



48" Waverley Range Hood for 9' ceiling

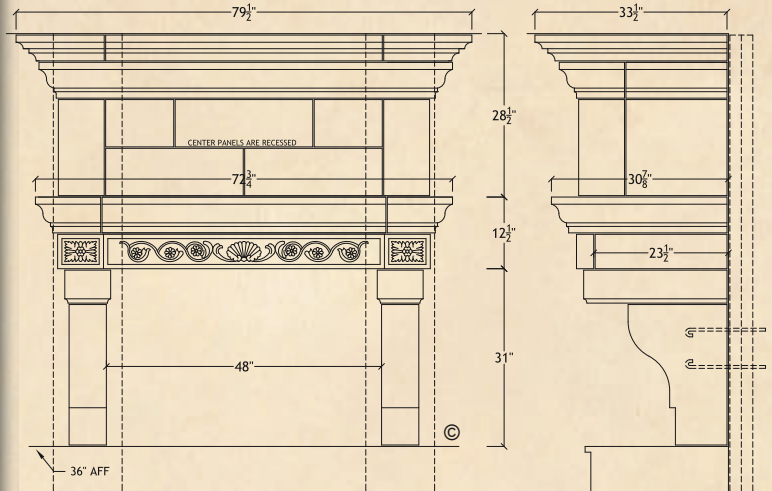




# Rhapsody™

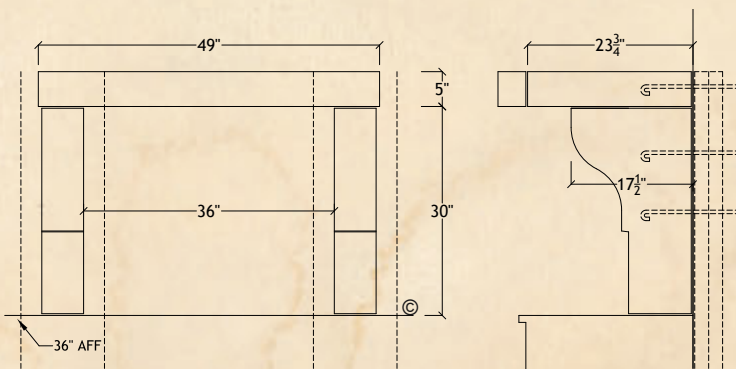


36" Rhapsody	\$4,250
42" Rhapsody	\$4,510
48" Rhapsody	\$4,775
60" Rhapsody	\$5,040



48" Rhapsody Range Hood for 9' ceiling

36" Modern	\$1,750
42" Modern	\$1,850
48" Modern	\$1,950
60" Modern	\$2,140



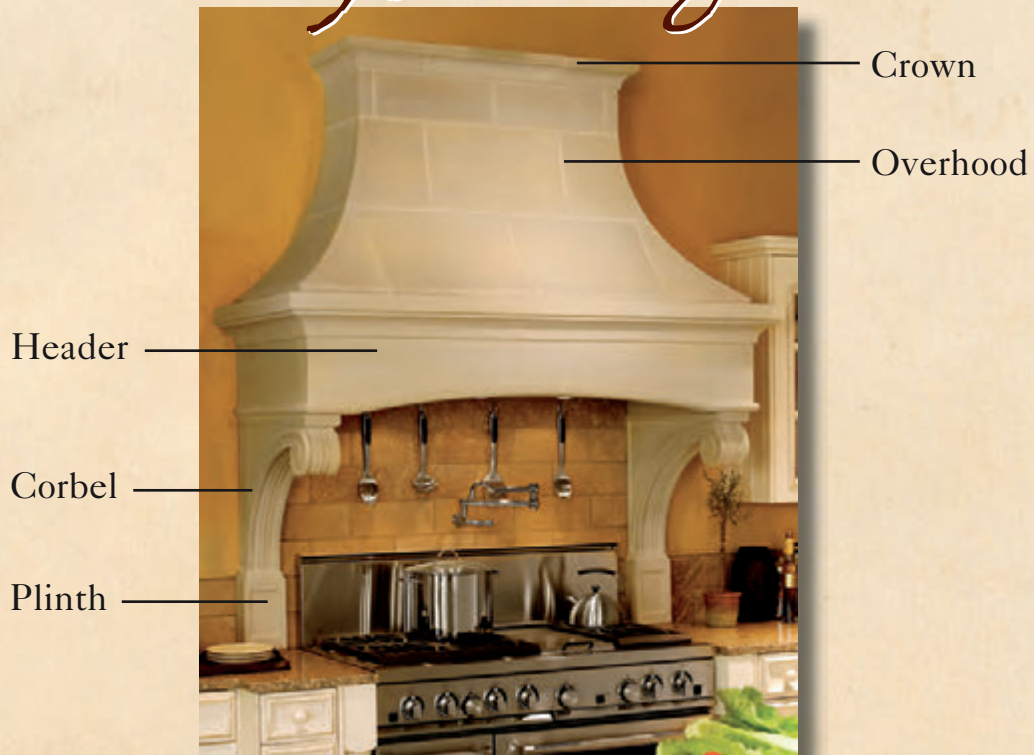
36" Modern Range Hood



# Anatomy of a Fireplace



# Anatomy of a Range Hood





# Old World Stoneworks™

5400 Miller Avenue  
Dallas, TX 75206  
800.600.8336  
EMAIL: [info@oldworldstoneworks.com](mailto:info@oldworldstoneworks.com)

