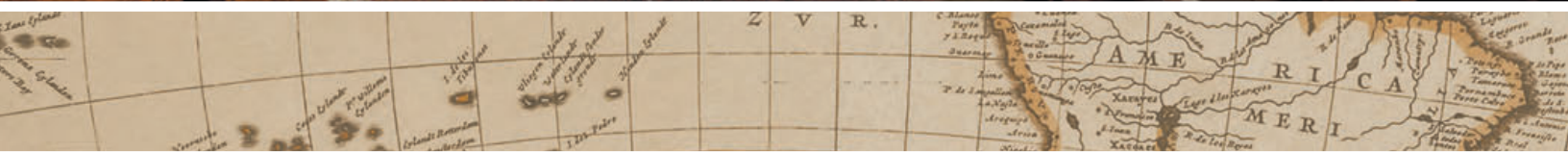


Old World Elegance, Custom Made.



*Old World
Stoneworks™*

An Unrivaled Collection of Cast Stone Mantels and Range Hoods

As a pioneer of the Cast Stone Fireplace Mantel industry nearly 20 years ago, we remain the leading manufacturer of stone fireplace mantels and now Cast Stone Range Hoods. We are famous not just because of our award winning products and designs, but for our unsurpassed customer service and satisfaction.

We do not sell “off the shelf” or “from stock”. Each product from our line is made to order with your own unique measurements, usually at **NO EXTRA CHARGE**. **FREE** scale drawings are also provided to you before the order is placed. Our custom sizing eliminates the need to force fit stock sizes and insures a perfect and beautiful installation every time!

How to Order

It's easy. Call one of our technicians at 800-600-8336. After discussing the mantel or range hood you have selected from our line we will email to you a **FREE** scale drawing with your own unique dimensions and a complete quote including shipping cost. Just email us (info@oldworldstoneworks.com) the signed quote along with a copy of the deposit check (about 50%) and we will start the process to produce your mantel or range hood. Then mail us the hard copy of the deposit check and signed quote. We also accept credit cards. Production takes about 4 to 6 weeks.

If you don't find what you are looking for from our line, we will be happy to give you a quote on your own custom design.

Technical Support

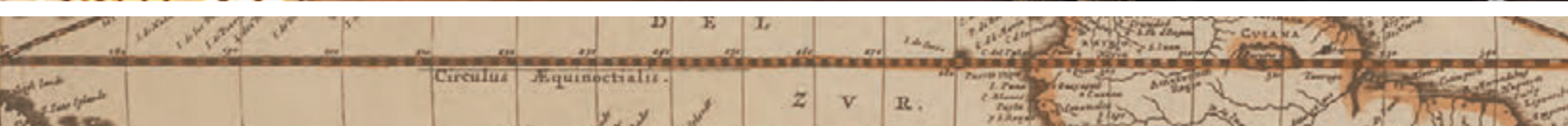
Our experienced staff is ready to serve you weekdays from 8:30 to 5:00 (CST), just call our toll free number. Mantel and Range Hood installation videos are available on our website.

Samples

Because of color variations in printing, you are encouraged to request **FREE** samples of the stone to ensure your satisfaction.



If you have any questions please call us toll free 1.800.600.8336 or visit us on-line at:
www.oldworldstoneworks.com to view our full line of products and services.



*Because we design and manufacture our own product and sell direct to you, the consumer, we are able to offer unrivaled pricing.**

AutoCAD files available to Architects and Designers

*Amburst*TM



36" Amburst

Firebox: 36" x 36"
Overall: 66-1/2" wide 55-11/16" tall

42" Amburst

(see drawing and photo)

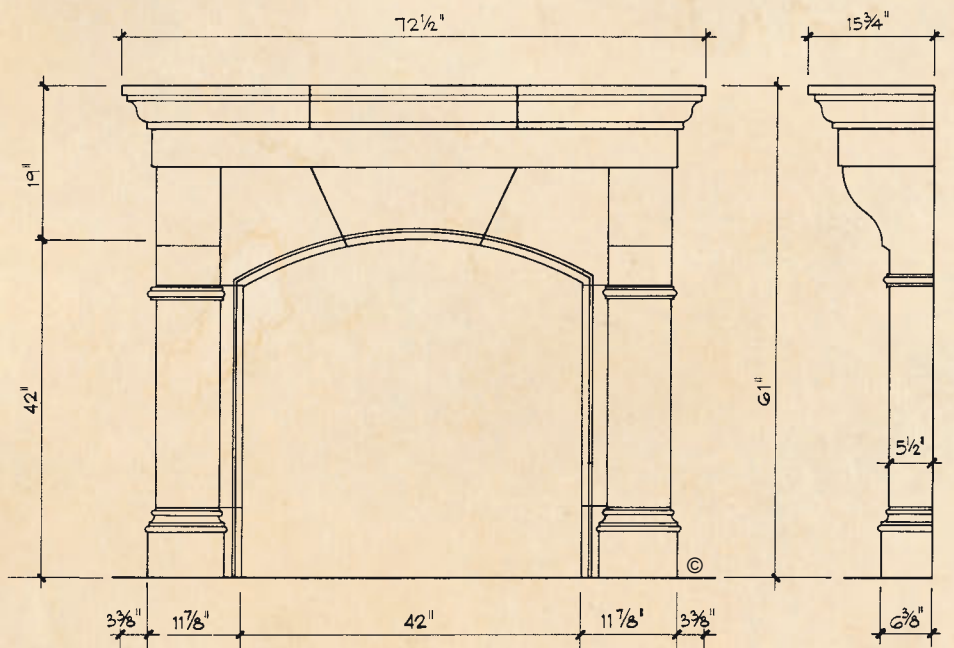
48" Amburst

Firebox: 48" x 48"
Overall: 78-1/2" wide 66-5/16" tall

The Amburst may be adapted to fit varying firebox heights.

Optional overmantels are available.
(see page 43)

Please call for additional sizes.





Avalon™

36" Avalon

(Does not include optional overmantel shown in photo)

Firebox: 36" x 36"

Overall: 69" wide 48-1/2" tall

42" Avalon

(Does not include optional overmantel shown in photo)

Firebox: 42" x 42"

Overall: 75" wide 54-1/2" tall

48" Avalon

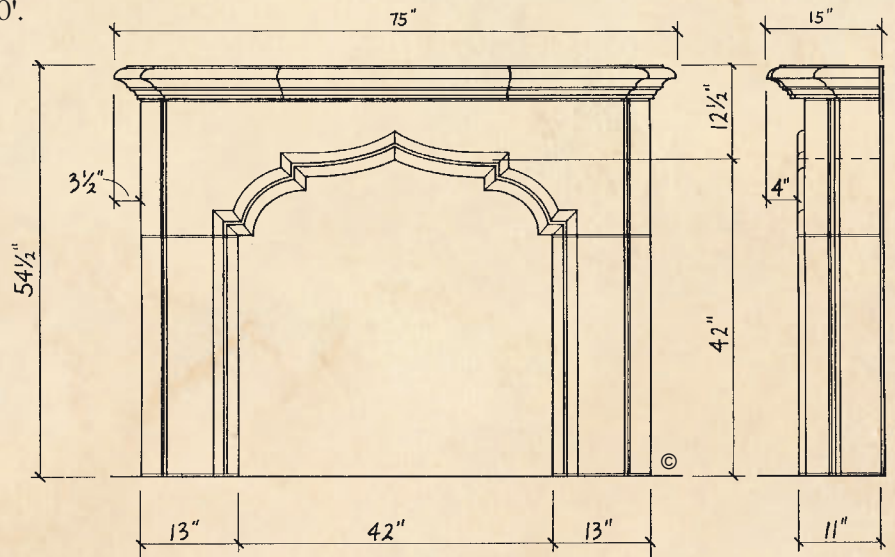
(Does not include optional overmantel shown in photo.)

Firebox: 48" x 42"

Overall: 81" wide 54-1/2" tall

The Avalon may be adapted to fit varying firebox heights.

42" firebox with #8 overmantel at 10'.
Other overmantels are available.
(see page 43)



Avondale™

36" Avondale

(Does not include optional overmantel shown in photo)

Firebox: 36" x 36"

Overall: 69" wide 46-1/2" tall

42" Avondale

(Does not include optional overmantel shown in photo)

Firebox: 42" x 42"

Overall: 75" wide 52-1/2" tall

48" Avondale

(Does not include optional overmantel shown in photo)

Firebox: 48" x 42"

Overall: 81" wide 52-1/2" tall

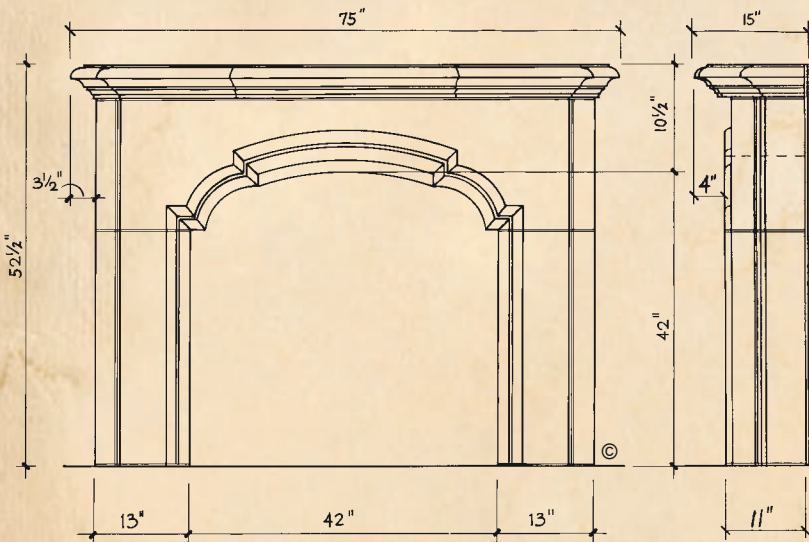
The Avondale may be adapted to fit varying firebox heights.



42" firebox with #9 optional overmantel at 10'.

Other overmantels are available.

(see page 43)



Berkley™



Custom size firebox shown in photo.

42" Berkley

(see drawing)

48" Berkley

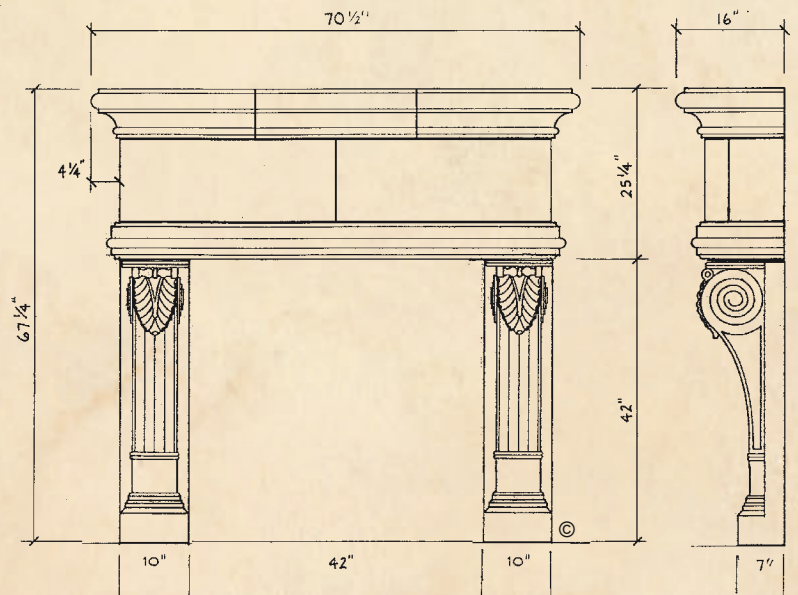
Firebox: 48" x 42"

Overall: 76-1/2" wide 67-1/4" tall

The Berkley may be adapted to fit varying firebox widths and heights.

Optional overmantels are available.
(see page 43)

Also available with the lions paw leg.
(see Nottingham page 27)



Birmingham™



As featured on the cover of the Southern Accents Showhouse magazine.

42" Birmingham

(see drawing)

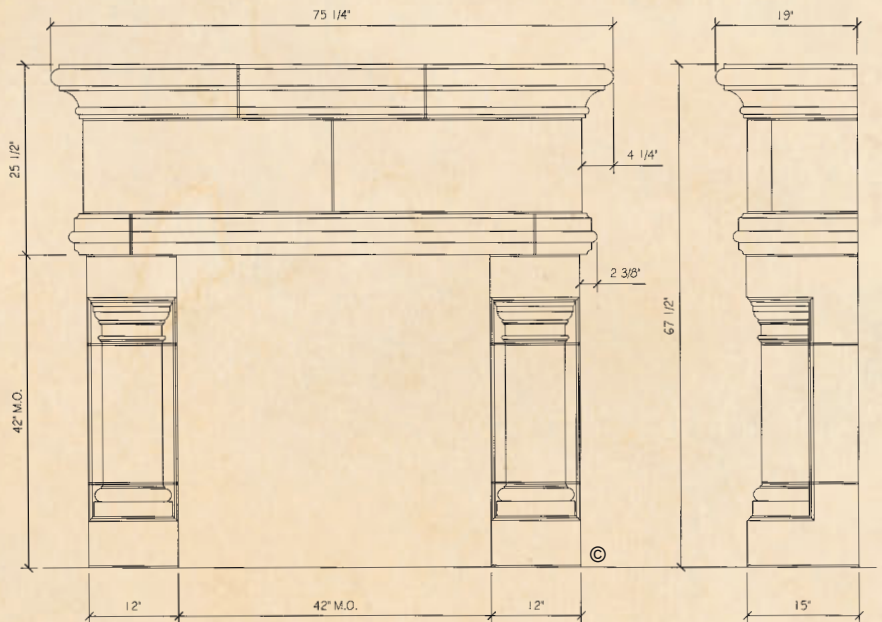
48" Birmingham

Firebox: 48" x 42"

Overall: 81-1/4" wide 67-1/2" tall

The Birmingham may be adapted to fit varying firebox widths and heights.

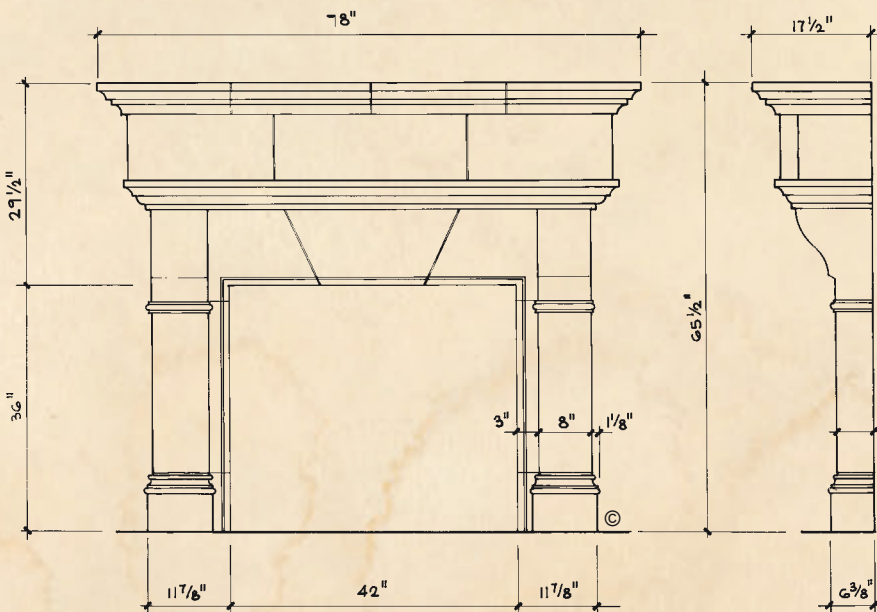
Optional overmantels are available.
(see page 43)



Brunswick™



48" firebox shown in photo.



42" Brunswick
(see drawing)

48" Brunswick
Firebox: 48" x 42"
Overall: 84" wide 71-1/2" tall

The Brunswick may be adapted to fit varying firebox widths and heights.

Optional overmantels are available.
(see page 43)

Calais™



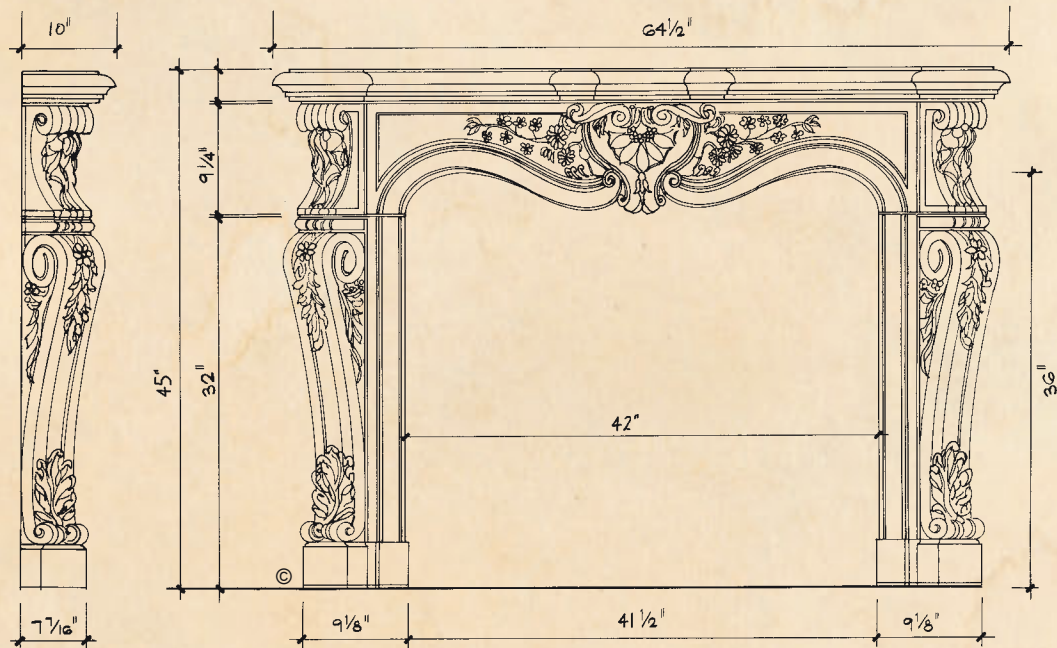
36" Calais

42" Calais
(see drawing)

48" Calais

Various leg lengths are available.
Call for details.

Optional #10 overmantel
is available for the Calais.





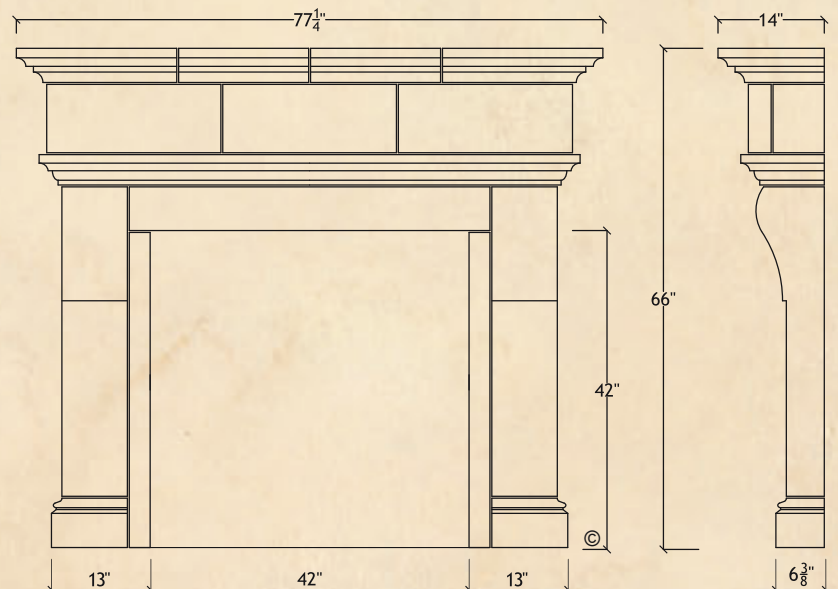
Cambridge™

Photo contains an optional filler stone at bottom of firebox opening.

36" Cambridge
42" Cambridge
48" Cambridge

The Cambridge may be adapted to fit varying firebox widths and heights.

Optional overmantels are available.
(see page 43)



Capri™



42" firebox with 14" raised hearth

36" Capri

Firebox: 36" x 36"

Overall: 63-1/4" wide 51-3/4" tall

42" Capri

(see drawing and photo)

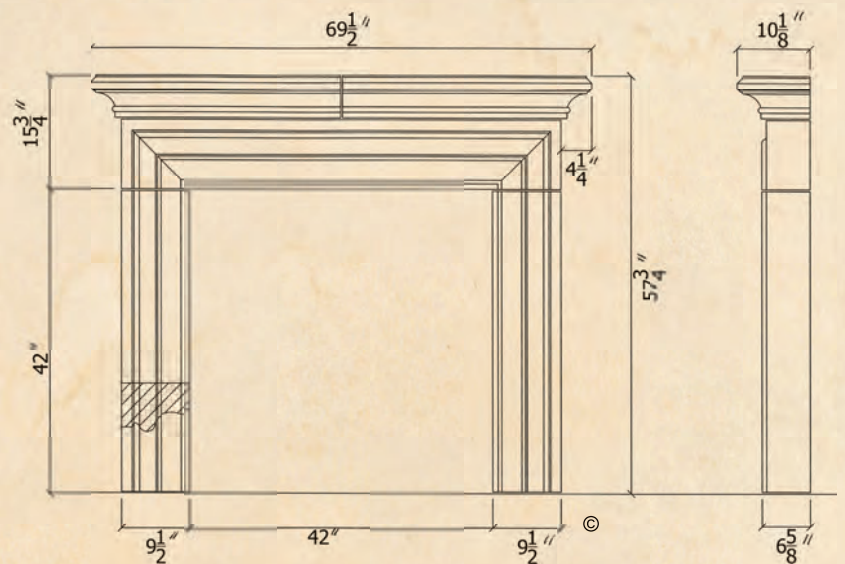
48" Capri

Firebox: 48" x 48"

Overall: 75-1/4" wide 64" tall

The Capri may be adapted to fit varying firebox heights.

Optional overmantels are available.
(see page 43)



Carved Brentwood™

42" Carved Brentwood

Available in 42" firebox only.
Overall: 69" wide 57" tall

Also available:

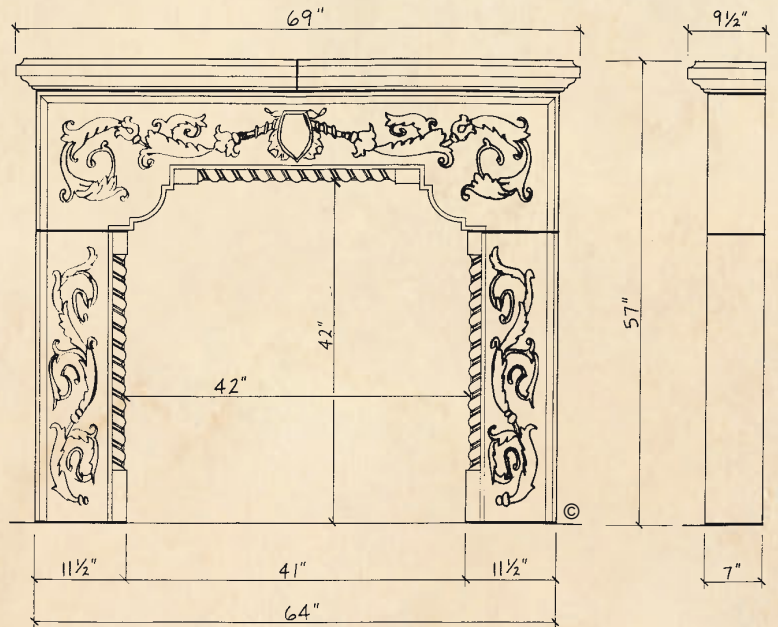
42" Plain Brentwood

Available in 42" firebox only.
Overall: 69" wide 57" tall

Optional overmantels are available.
(see page 43)



Plain Brentwood



Cordova™



40" firebox and #5 overmantel.

42" Cordova

(see drawing)

Includes interior surround.

48" Cordova

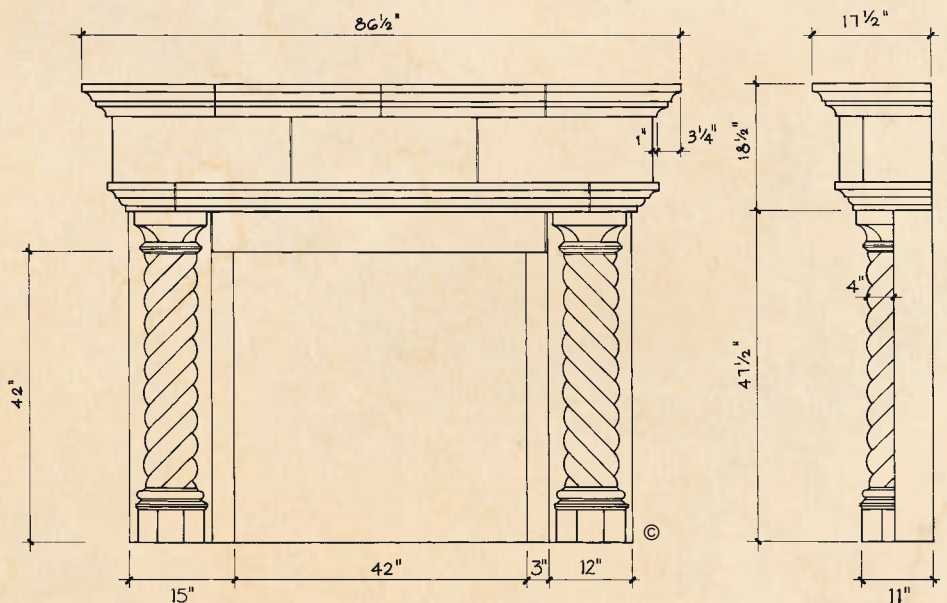
Firebox: 48" x 48"

Overall: 86-1/2" wide 66" tall

The Cordova may be adapted to fit varying firebox widths and heights.

Optional custom interior surrounds are available for mantel styles with square firebox openings. See Cambridge on page 10.

Optional overmantels are available.
(see page 43)





Devon™

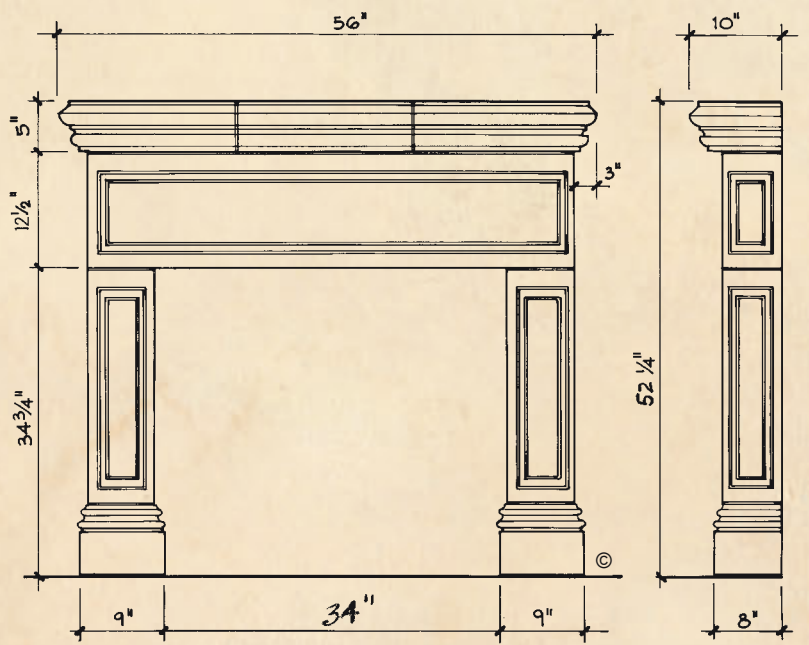
32" & 36" Devon

38", 41" & 42" Devon

45" Devon

Various leg lengths are available.
Call for details.

Optional overmantels are available.
(see page 43)



EssexTM



48" x 42" opening

36" Essex

Firebox: 36" x 36"

Overall: 66-1/2" wide 55-11/16" tall

42" Essex

(see drawing)

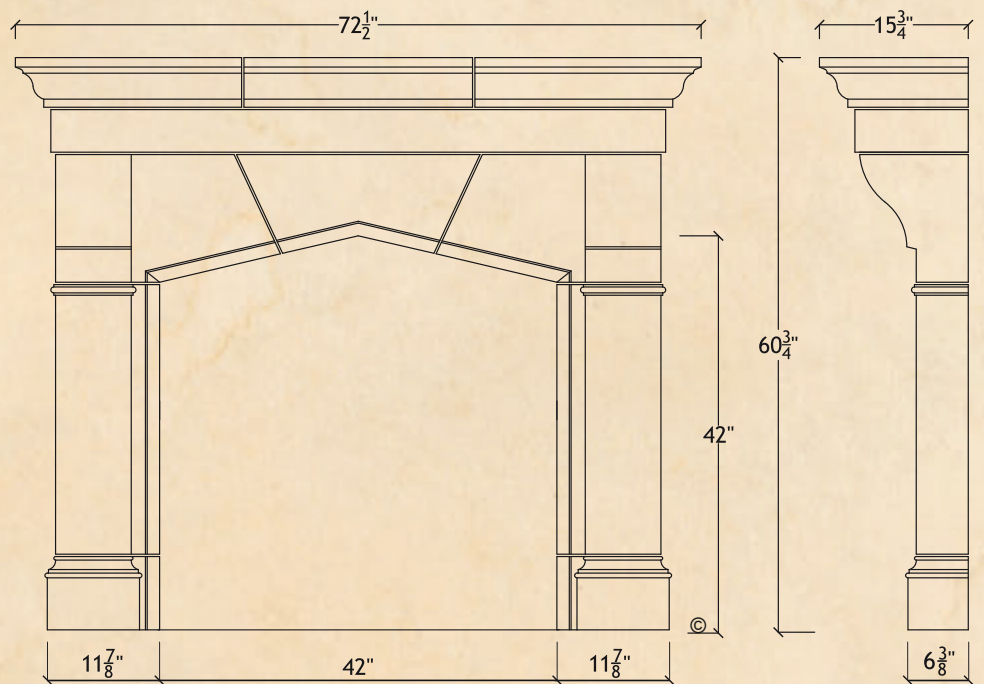
48" Essex

Firebox: 48" x 48"

Overall: 78-1/2" wide 66-5/16" tall

The Essex may be adapted to fit varying firebox heights.

Optional overmantels are available.
(see page 43)



Fairmount[™]



36" Fairmount

Firebox: 36" x 36"
Overall: 64" wide 51-3/4" tall
(shown in photo)

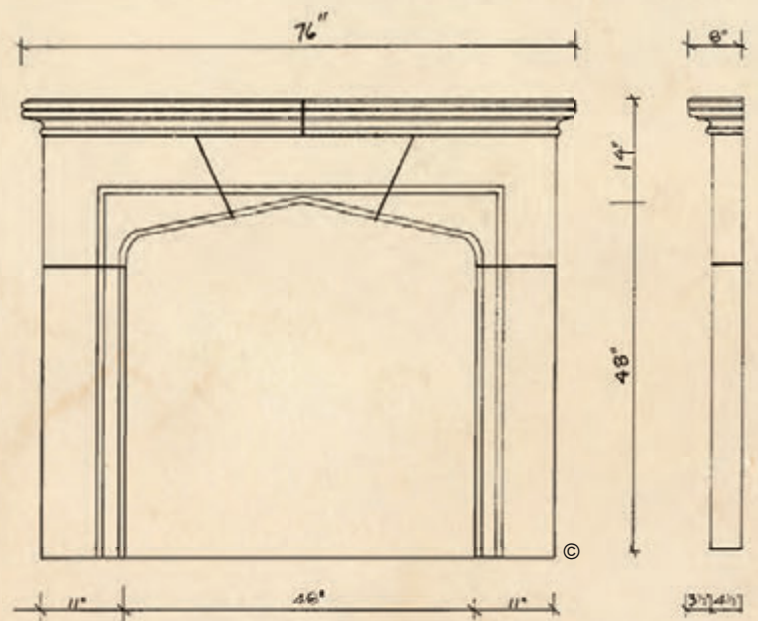
42" Fairmount

Firebox: 42" x 42"
Overall: 70" wide 56-1/2" tall

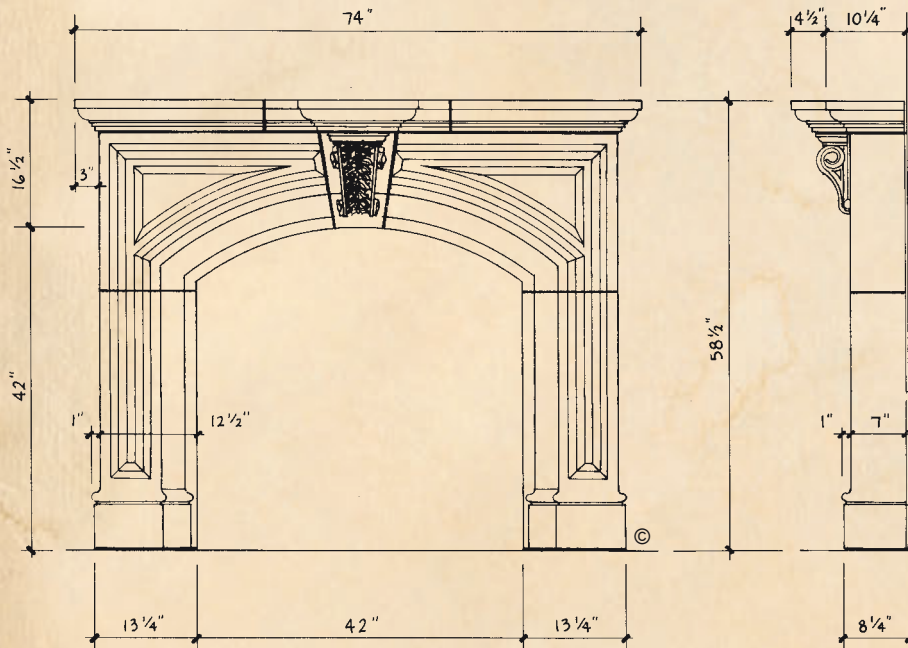
48" Fairmount

(see drawing)

The Fairmount may be adapted
to fit varying firebox heights.



Fremont™



36" Fremont

Firebox: 36" x 36"

Overall: 68" wide 52-1/2" tall

42" Fremont

(see drawing)

48" Fremont

Firebox: 48" x 42"

Overall: 80" wide 58-1/2" tall

The Fremont may be adapted to fit varying firebox heights.

Optional overmantels are available.
(see page 43)

Gatwick™



36" Gatwick

Firebox: 36" x 30"
Overall: 66-1/2" wide 64" tall

42" Gatwick

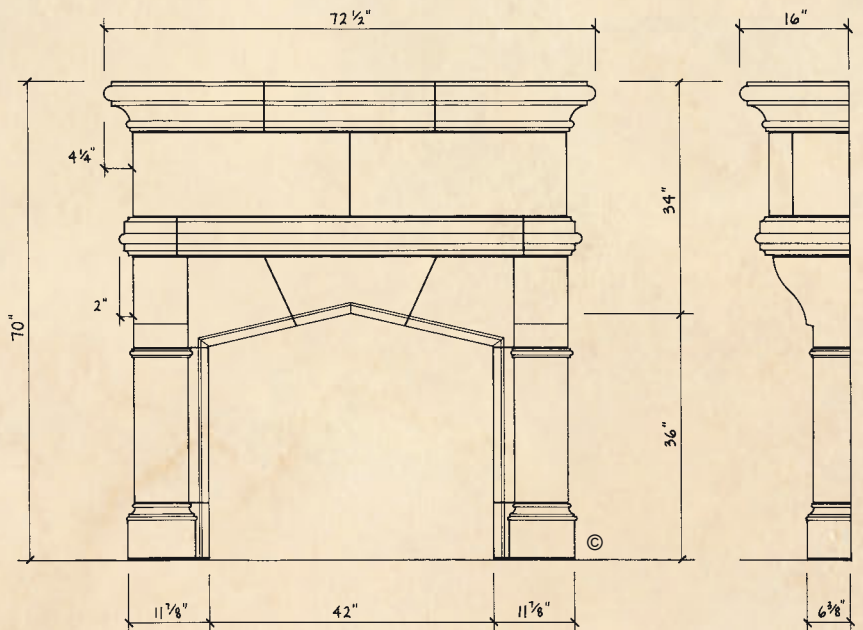
(see drawing)

48" Gatwick

Firebox: 48" x 42"
Overall: 78-1/2" wide 76" tall

The Gatwick may be adapted to fit varying firebox heights.

Optional overmantels are available.
(see page 43)



*Hampton*TM



48" x 48" firebox shown in photo.

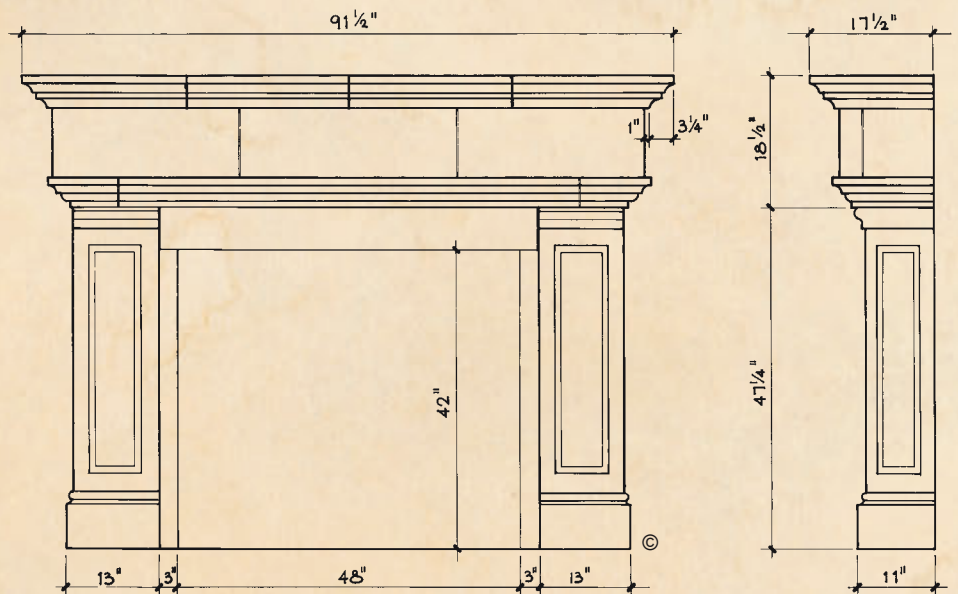
48" Hampton

(see drawing)

Includes interior surround.

The Hampton may be adapted to fit varying firebox widths and heights by adjusting the interior surround.

Optional overmantels are available.
(see page 43)



Laurent™



36" Laurent

Firebox: 36" x 36"

Overall: 63-1/4" wide 53-7/16" tall

42" Laurent

(shown in photo and drawing)

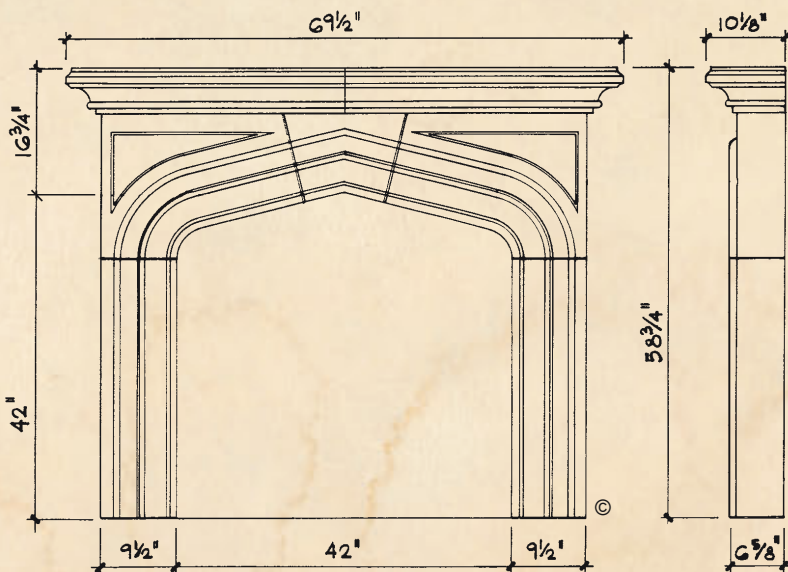
48" Laurent

Firebox: 48" x 48"

Overall 75-1/4" wide 64" tall

60" Laurent

Call for specifications and drawing.



The Laurent may be adapted to fit varying firebox heights.

Optional overmantels are available.
(see page 43)



*Lexington*TM



36" x 30" firebox shown in photo.

36" Lexington

Firebox: 36" x 36"
Overall: 72" wide 63" tall

42" Lexington

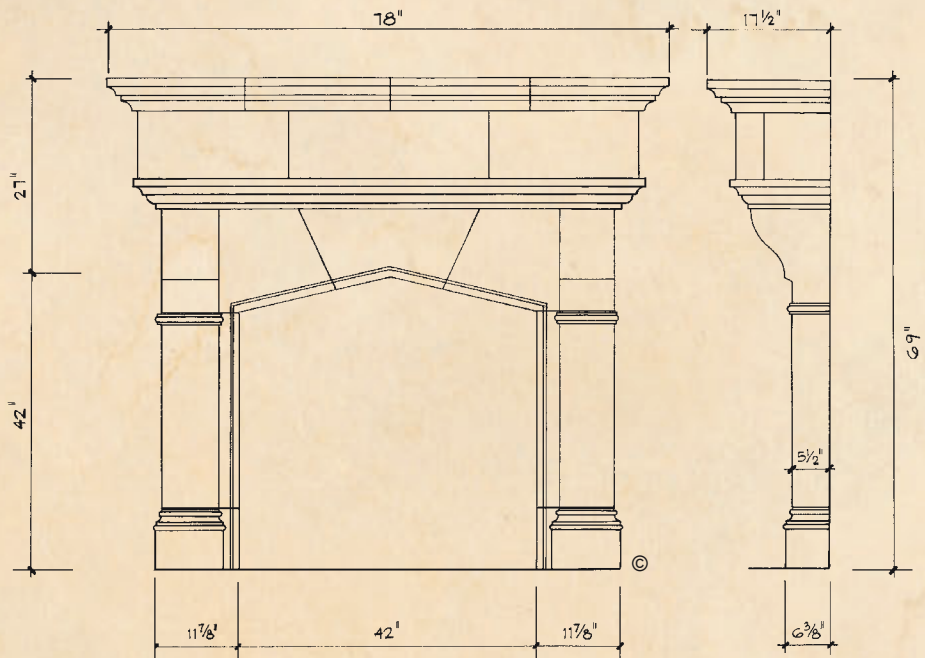
(see drawing)

48" Lexington

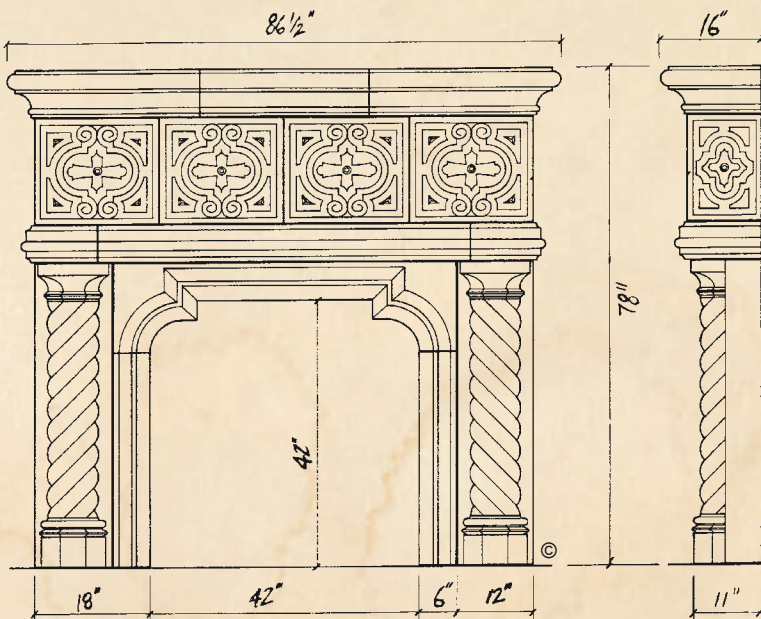
Firebox: 48" x 48"
Overall: 84" wide 75" tall

The Lexington may be adapted to fit varying firebox heights.

Optional overmantels are available.
(see page 43)



Majorca™



33" Majorca

Firebox: 33" x 36"
Overall: 77-1/2" wide 72" tall
(call for drawing)

42" Majorca

(see drawing)

The Majorca may be adapted to fit varying firebox widths and heights.

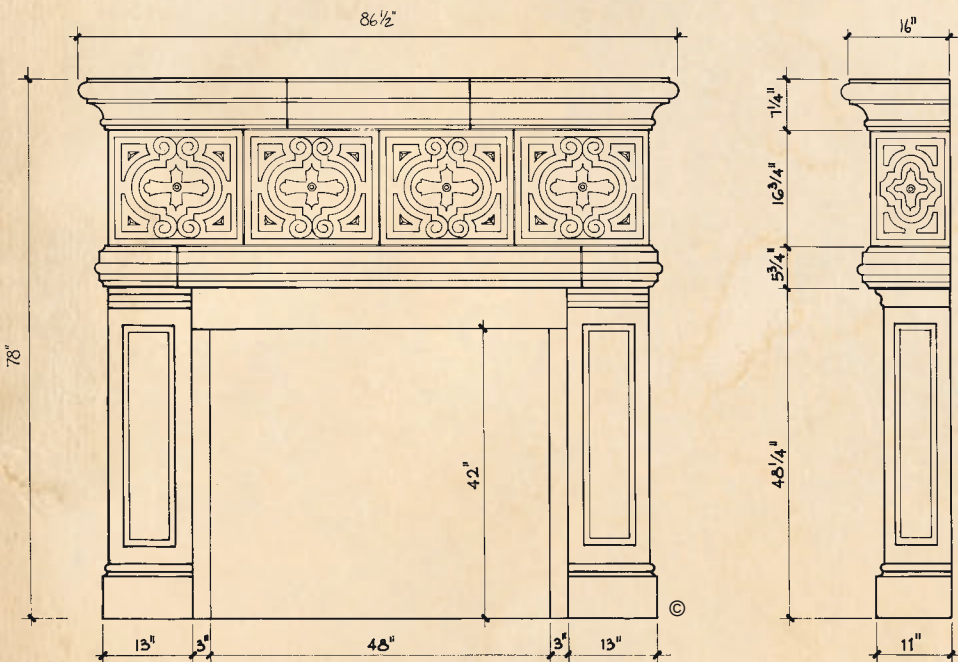
Optional overmantels are available.
(see page 43)



Manchester™



48" firebox and optional bullnosed hearth shown in photo.



48" Manchester

(see drawing)
Includes interior surround.

The Manchester may be adapted to fit varying firebox widths and heights.

Optional overmantels are available.
(see page 43)



*Mandalay*TM

42" Mandalay

Firebox: 42" x 42"
Overall: 72-1/2" wide 79" tall

48" Mandalay

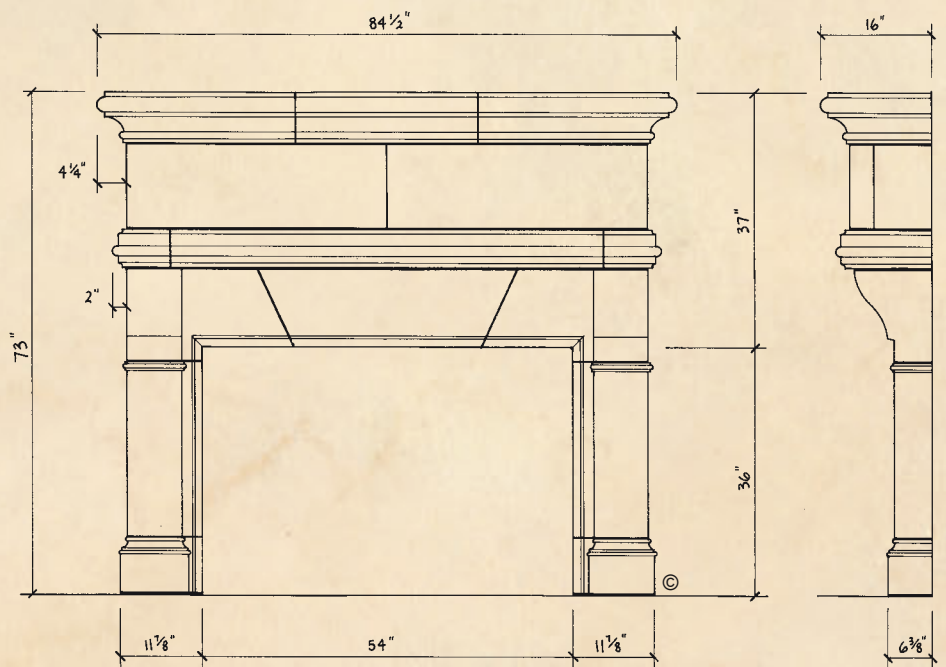
Firebox: 48" x 48"
Overall: 78-1/2" wide 85" tall

54" Mandalay

(see drawing)

The Mandalay may be adapted to fit varying firebox widths and heights.

Optional overmantels are available.
(see page 43)



*Montgomery*TM



36" Montgomery

Firebox: 36" x 36"

Overall: 64-1/2" wide 51-1/2" tall

42" Montgomery

(see drawing)

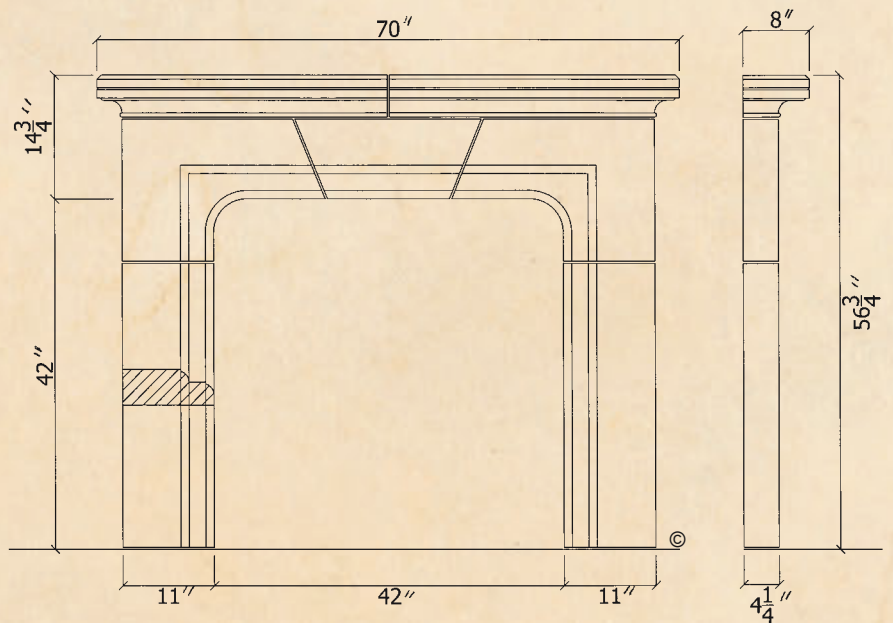
48" Montgomery

Firebox: 48" x 48"

Overall: 76-1/2" wide 62-1/2" tall

The Montgomery may be adapted to fit varying firebox widths and heights.

Optional overmantels are available.
(see page 43)





*Normandy*TM

36" Normandy

Firebox: 36" x 36"

Overall: 71-1/4" wide 63" tall

42" Normandy

(see drawing)

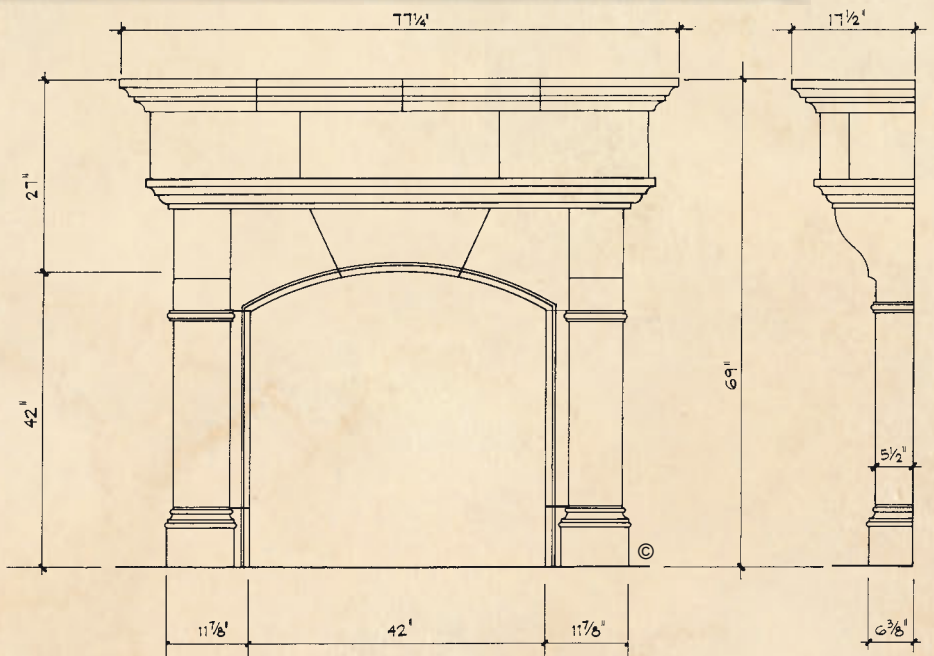
48" Normandy

Firebox: 48" x 48"

Overall: 83-1/4" wide 75" tall

The Normandy may be adapted to fit varying firebox heights.

Optional overmantels are available.
(see page 43)



Nottingham™



48" firebox shown in photo.

42" Nottingham

(see drawing)

48" Nottingham

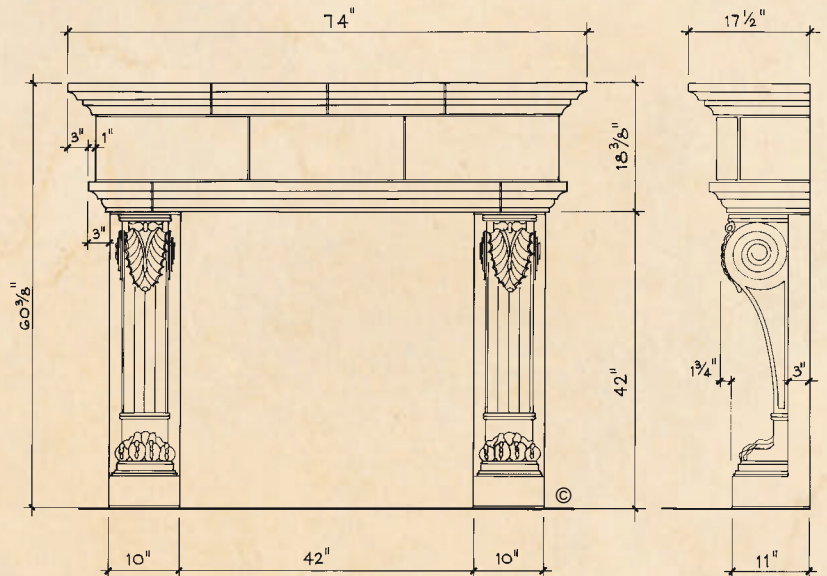
Firebox: 48" x 42"

Overall: 80" wide 60-3/8" tall

The Nottingham may be adapted to fit varying firebox widths and heights.

Optional overmantels are available.
(see page 43)

Also available without the lions paw leg.
(see Berkley page 6)



Oxford™



36" Oxford

Firebox: 36" x 33"

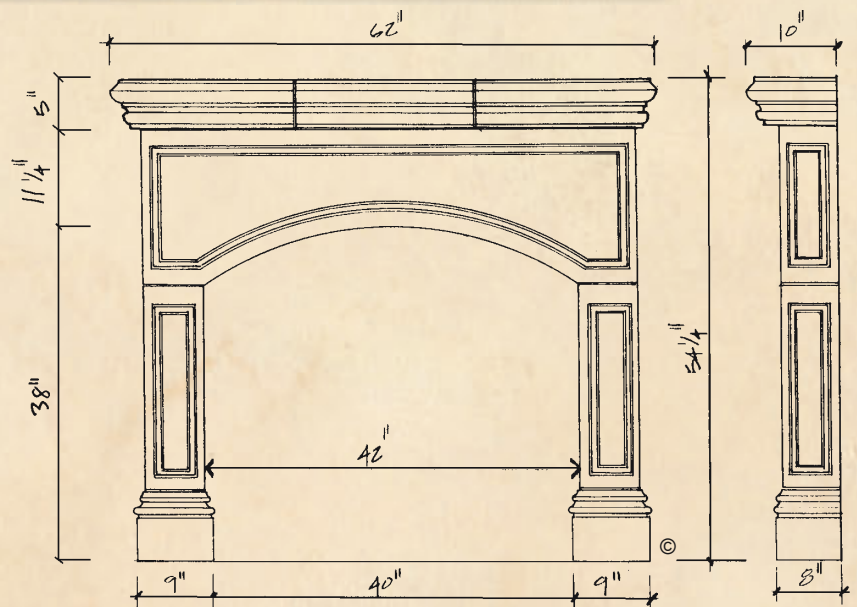
Overall: 56" wide 49-1/4" tall

42" Oxford

(Shown in photo and drawing)

The Oxford may be adapted for various firebox heights.

Optional overmantels are available.
(see page 43)



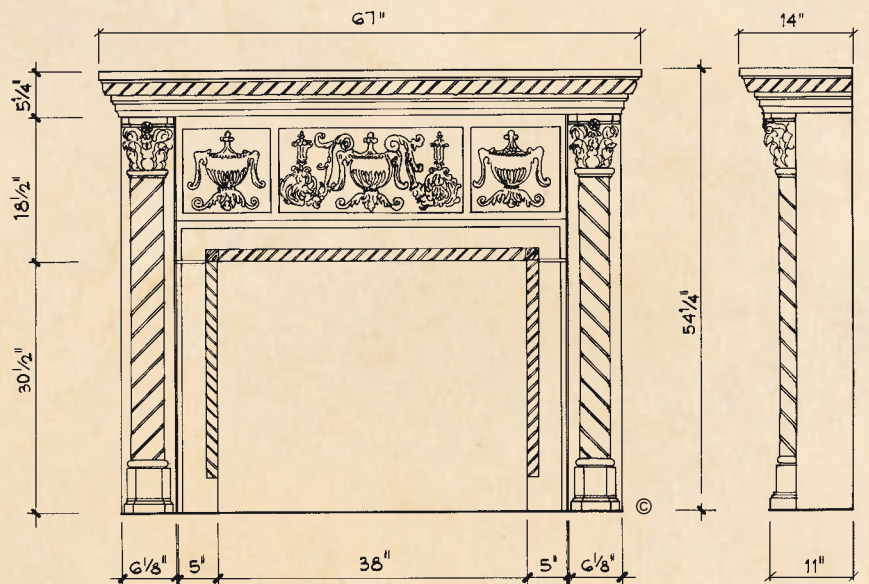
Palermo™



38" Palermo

Firebox: 38" x 30-1/2"
 Overall 67" wide 54-1/4" tall

Optional overmantels are available.
 (see page 43)



Rosamond™



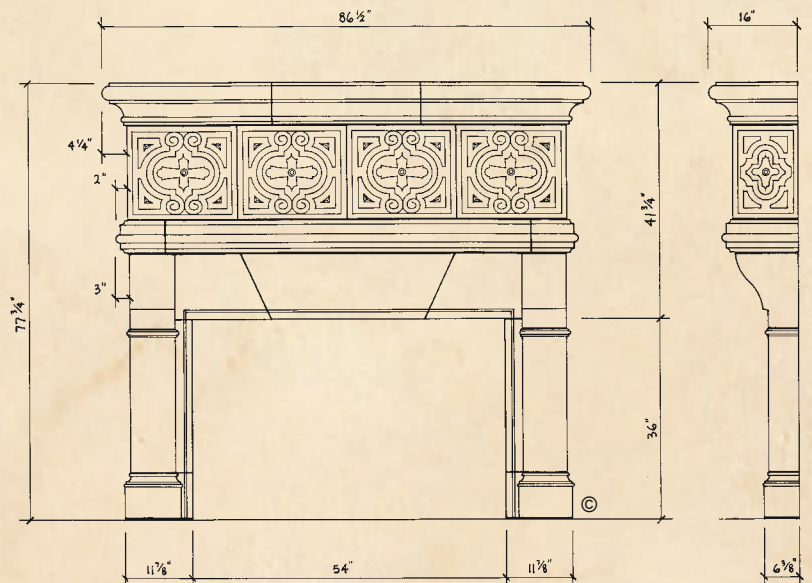
54" Rosamond

Firebox: 54" x 36"

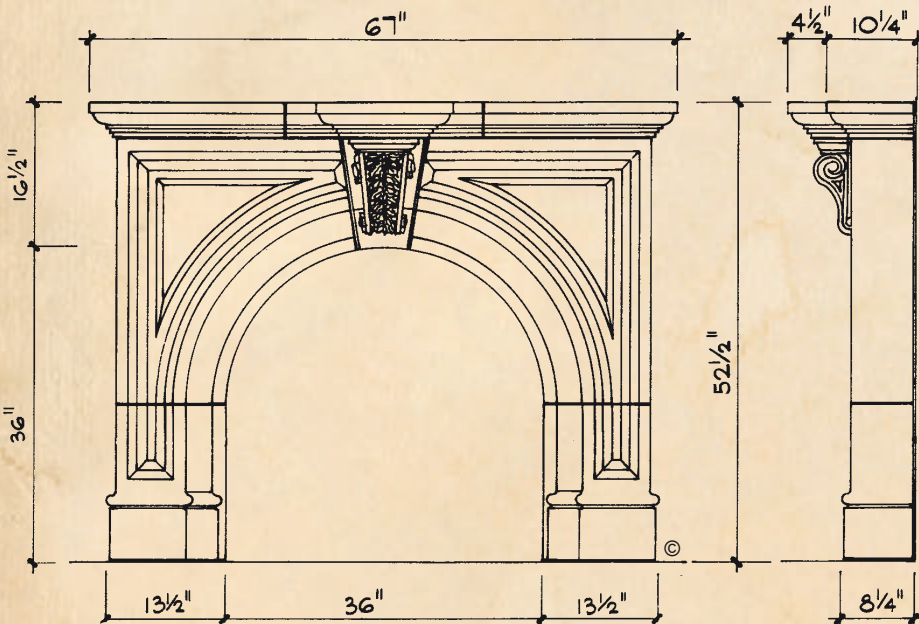
Overall: 86" wide 77-3/4" tall

The Rosamond may be adapted to fit varying firebox widths and heights.

Optional overmantels are available.
(see page 43)



Rothton™



36" Rothton

(see drawing)

42" Rothton

Firebox: 42" x 42"

Overall: 73" wide 58-1/2" tall

The Rothton may be adapted to fit varying firebox heights.

Optional overmantels are available.
(see page 43)



Sheridan[™]

42" firebox shown in photo.

42" Sheridan

(see drawing)

48" Sheridan

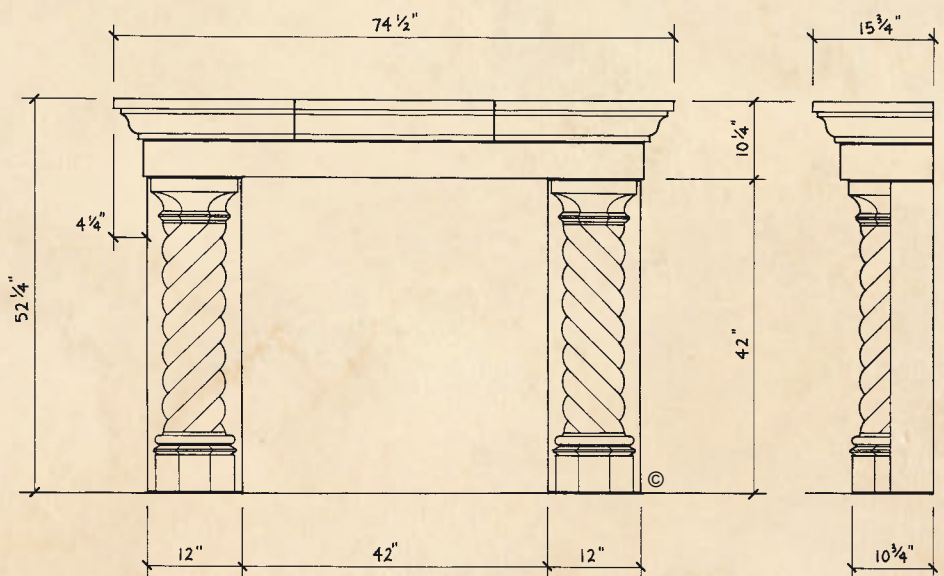
Firebox: 48" x 48"

Overall: 80-1/2" wide 58-1/4" tall

Does not include interior surround.

The Sheridan may be adapted to fit varying firebox widths and different heights by adjusting the interior surround or by using our 48" spiral leg.

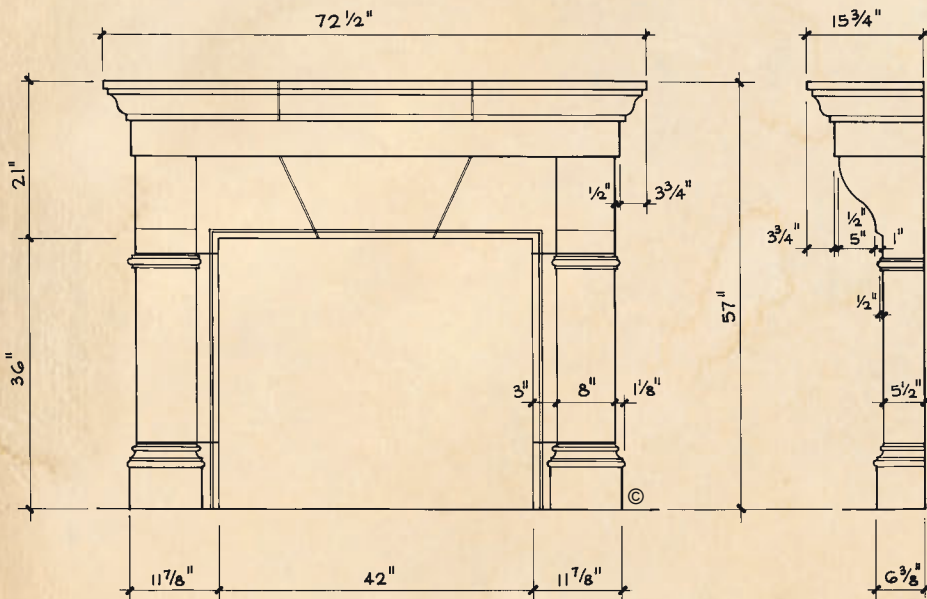
Optional overmantels are available.
(see page 43)



Stamford™



42" x 46" firebox shown in photo.



42" Stamford

(see drawing)

48" Stamford

Firebox: 48" x 42"

Overall: 78-1/2" wide 63" tall

The Stamford may be adapted to fit varying firebox widths and heights.

Optional overmantels are available.
(see page 43)

Stoneleigh™



54" x 42" firebox shown in photo.

48" Stoneleigh

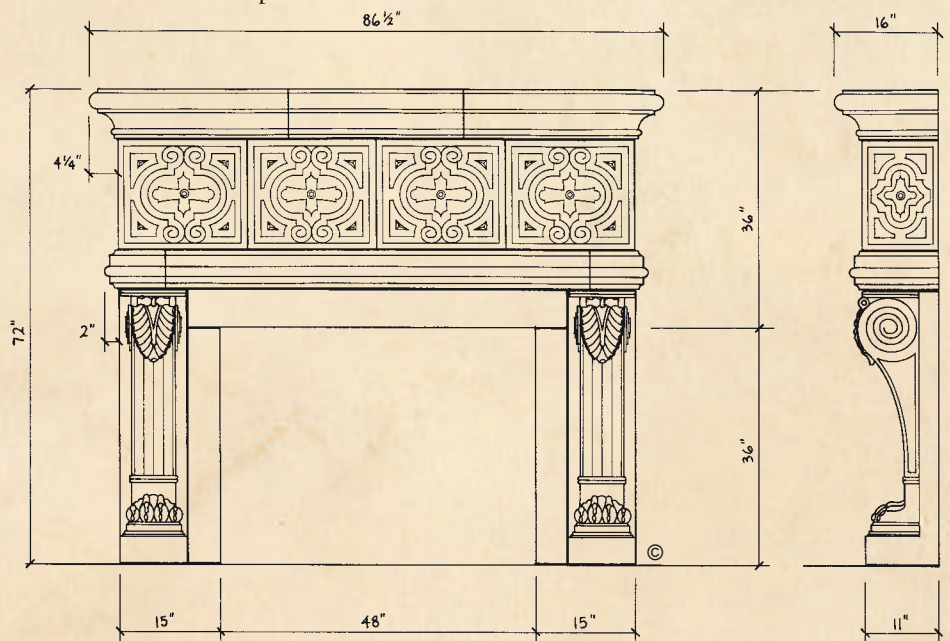
(see drawing)

Includes interior surround.

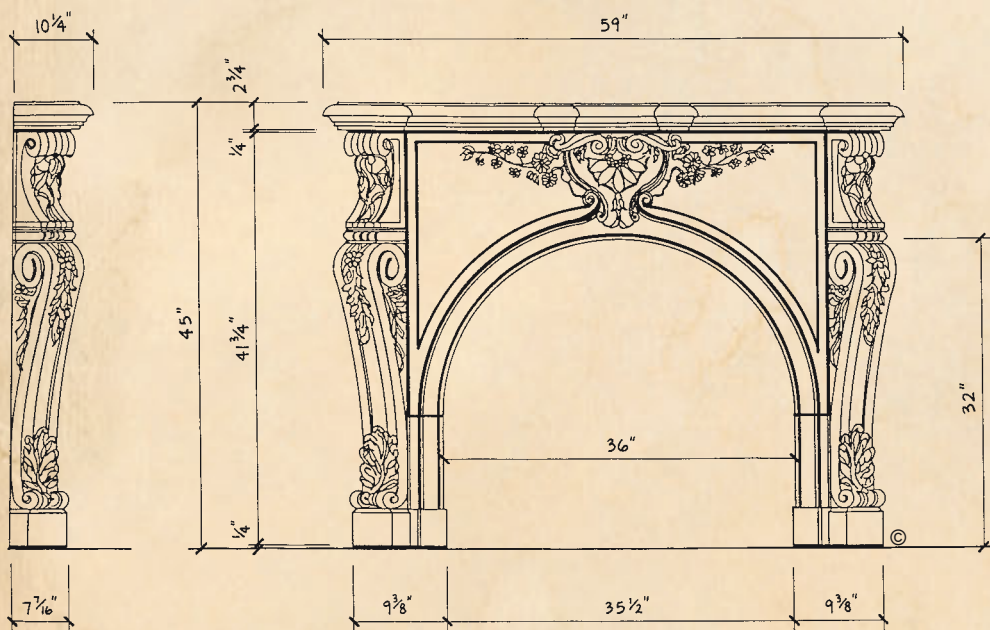
The Stoneleigh may be adapted to fit varying firebox widths and heights by adjusting the interior surround.

Optional overmantels are available.
(see page 43)

Also available without the lions paw leg.
(see Berkley page 6)



Taunton™



Taunton

Firebox: 36" x 32"

Overall: 59" wide 45" tall

The Taunton is available in a 36" firebox opening only.

Optional #10 overmantel is available for the Taunton.

Tuscan™

Firebox width is adaptable from 36" to 60" opening. Available in varying firebox heights.

Optional overmantels are available.
(see page 43)



Photo shows #II overmantel at II' overall height.

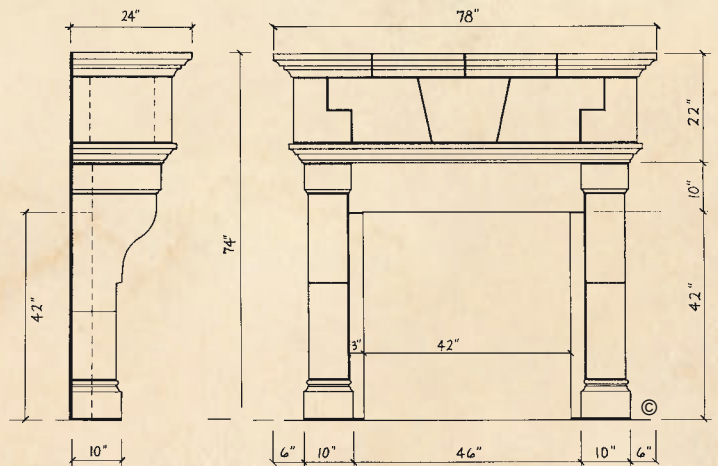


42" Tuscan

(Includes interior surround shown in drawing)

48" Tuscan

(No interior surround)



Verona™

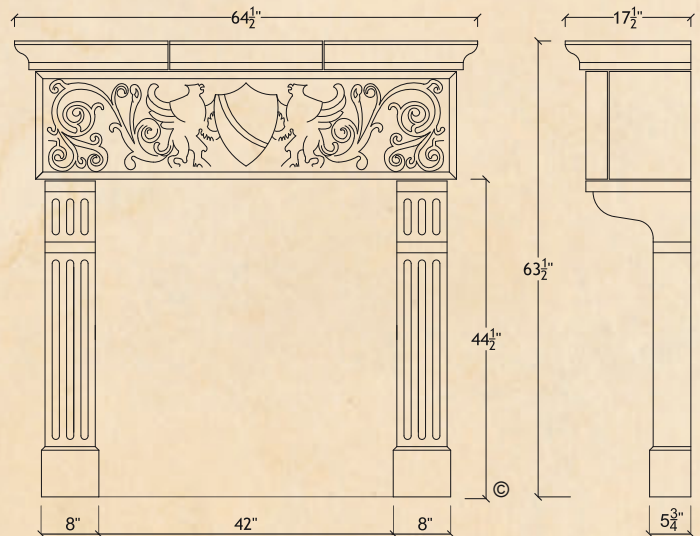
The hand carving and distress on the Verona mantel piece were painstakingly recreated to enhance its old world appearance and evoke the authenticity of a mantel a century old.



42" Verona

Firebox: 42" x 44-1/2"

Overall: 64-1/2" wide 63-1/2" tall



Victoria™



54" x 42" firebox shown in photo.

42" Victoria

(See drawing)

Includes interior surround.

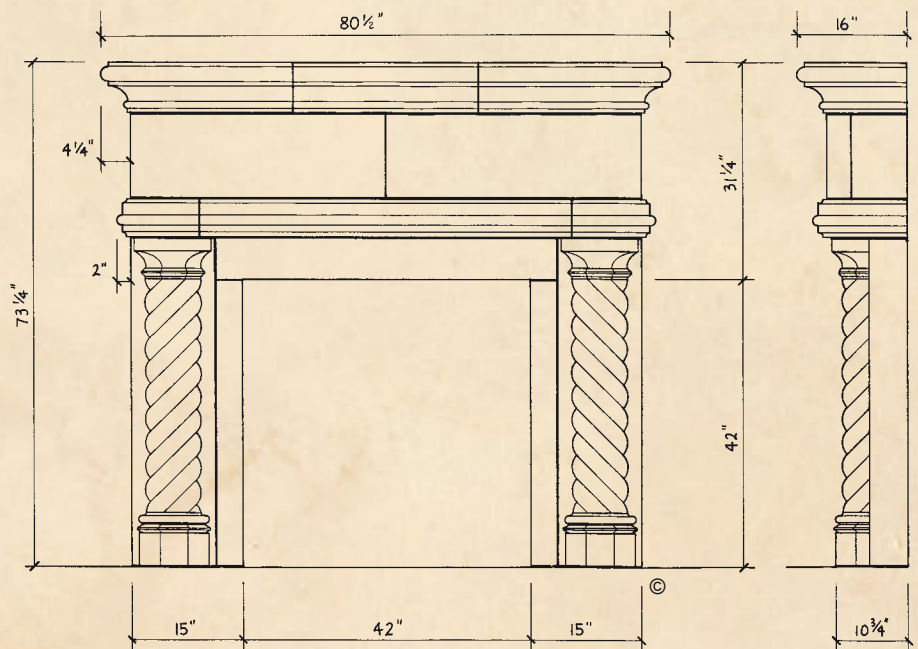
48" Victoria

Firebox: 48" x 48"

Overall: 80-1/2" wide 73-1/4" tall
(no interior surround)

The Victoria may be adapted to fit
varying firebox widths and heights.

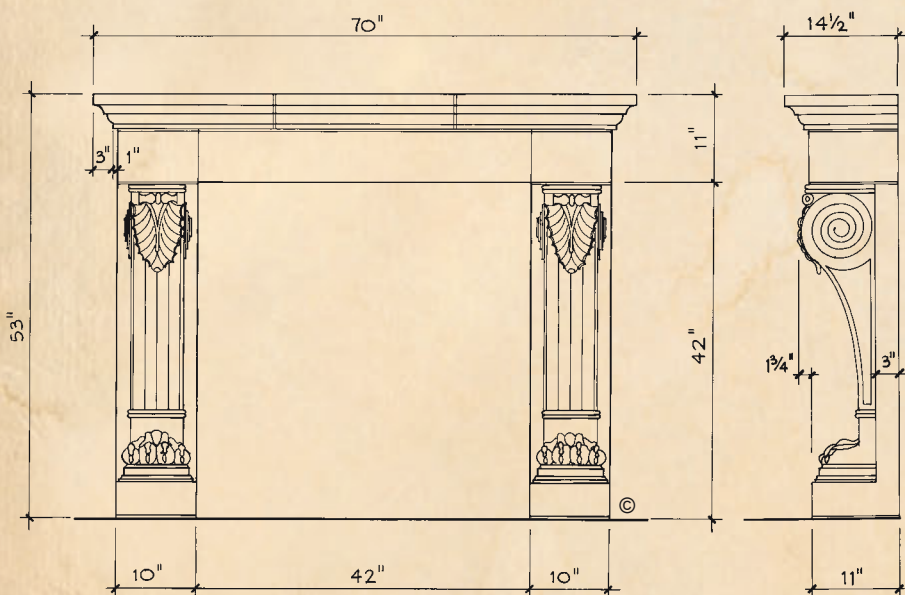
Optional overmantels are available.
(see page 43)



Wellington™



48" firebox shown in photo.



42" Wellington

(see drawing)

48" Wellington

Firebox: 48" x 42"
Overall: 76" wide 53" tall

The Wellington may be adapted to fit varying firebox widths and heights.

Optional overmantels are available.
(see page 43)

Also available without the lions paw leg.
(see Berkley page 6)

Whitmoore™



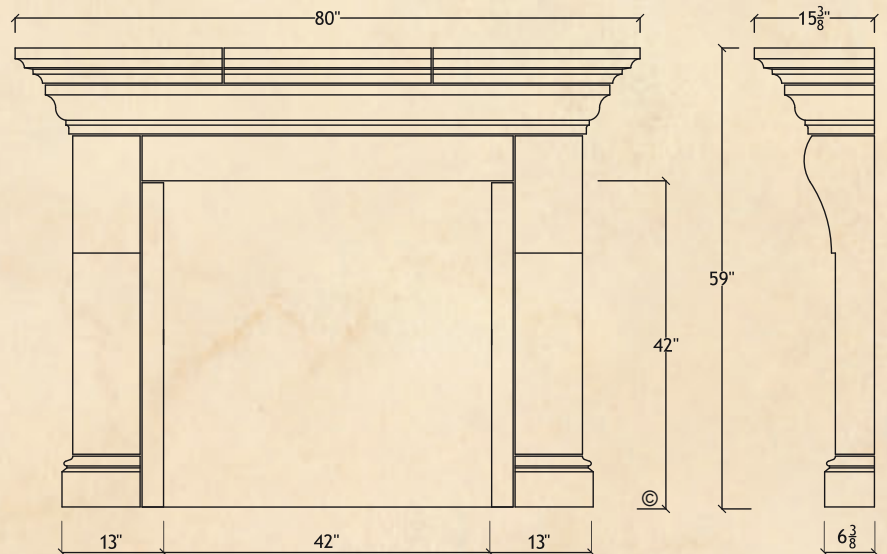
42" Whitmoore
(Shown in drawing and photo)

48" Whitmoore

Firebox: 48" x 42"
Overall: 86" wide 59" tall

The Whitmoore may be adapted to fit
varying firebox widths and heights.

Optional overmantels are available.
(see page 43)



Wilshire™



42" firebox with #9 overmantel

36" Wilshire

Firebox: 36" x 36"
Overall: 66-1/2" wide 70" tall

42" Wilshire

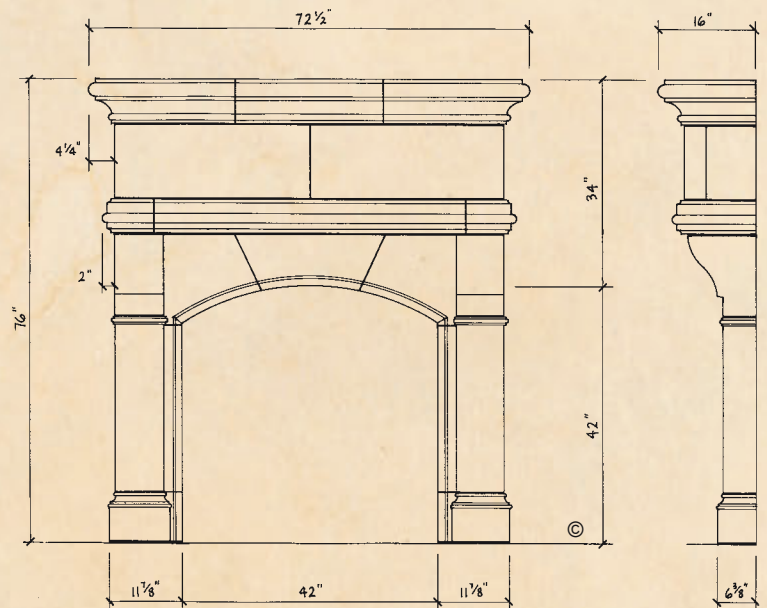
(see drawing)

48" Wilshire

Firebox: 48" x 48"
Overall: 78-1/2" wide 82" tall

The Wilshire may be adapted to fit varying firebox heights.

Optional overmantels are available.
(see page 43)



Windsor™



48" x 48" firebox shown in photo

36" Windsor

Firebox: 36 "x 36"
Overall: 74-1/2" wide 68" tall

42" Windsor

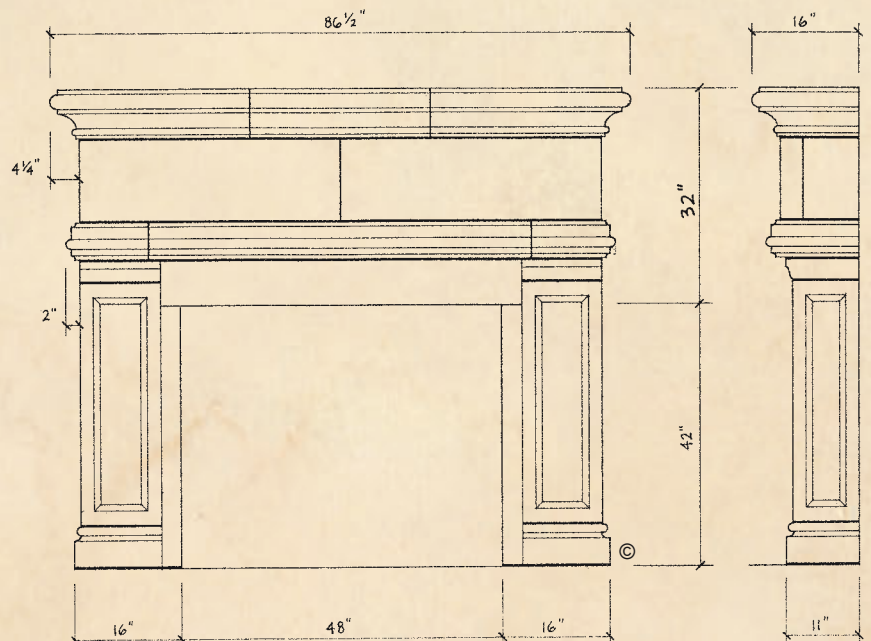
Firebox: 42 "x 42"
Overall: 80-1/2" wide 74" tall

48" Windsor

(see drawing)

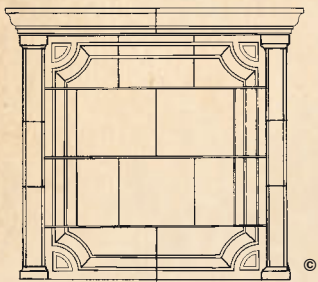
The Windsor may be adapted to fit varying firebox widths and heights.

Optional overmantels are available.
(see page 43)

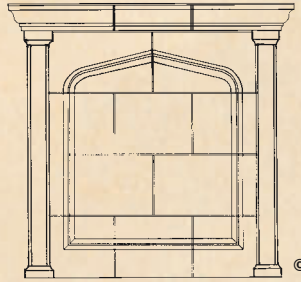


Overmantels

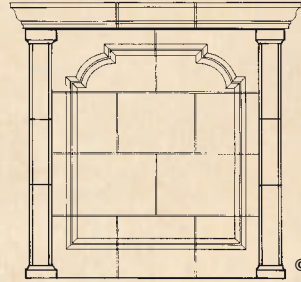
An overmantel (or trumeaux in French) is the stone structure above the fireplace. Centuries ago the trumeaux actually served as a smoke chamber, flue and chimney. Today the overmantel is purely decorative. We offer twelve styles of overmantels which can be used with any of our mantels and may also be customized to fit any width and height.



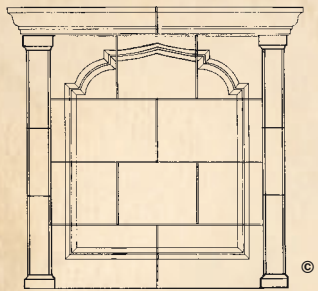
#1



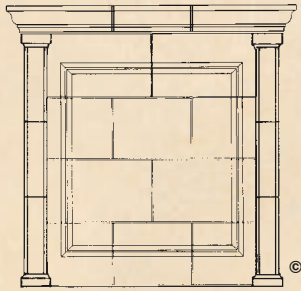
#2



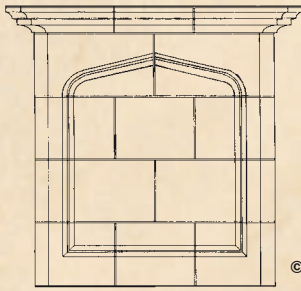
#3



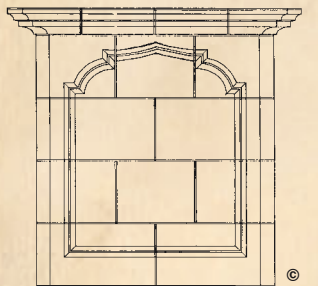
#4



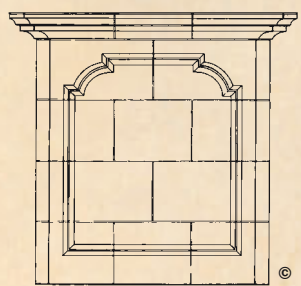
#5



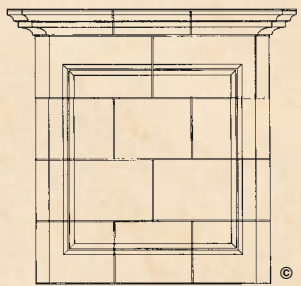
#6



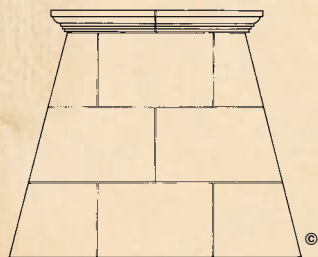
#7



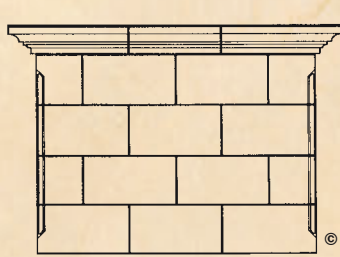
#8



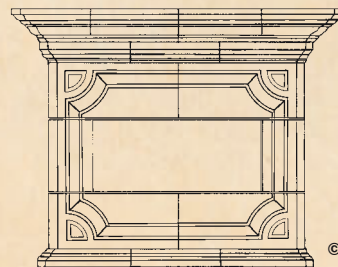
#9



#10



#11



#12



Overmantel #9
(shown with Wilshire)



Overmantel #8
(shown with Avalon)



Overmantel #5
(shown with Cordova)

Optional Items



Overmantel #11
(shown with Normandy)



Overmantel #10
(shown with Carved Brentwood)

Hearths

Standard

Available with Beveled or Non-beveled edge

Dimensions: (Mantel Cap length") x 20" x 2-3/4"

Raised

Dimensions: (Mantel Cap length") x 20" x (up to 15")

Bullnosed

Dimensions: (Mantel Cap length") x 20" x 3-3/4"

Raised Bullnosed

Dimensions: (Mantel Cap length") x 20" x (up to 15")

Overmantels

Prices vary according to size. Below are examples:

#1 through #5 68" wide x 65-1/2" tall

#6 through #9 68" wide x 65-1/2" tall

#10 50" wide at cap x 49" tall

#11 67-1/2" wide x 46" tall

#12 75-3/4" wide x 60" tall

Colors

Cream (standard)

Buff (One time charge)

Shipping Information

Crate Larger mantels may require 2 crates.

Freight

Freight charges are calculated according to the weight and shipping destination.

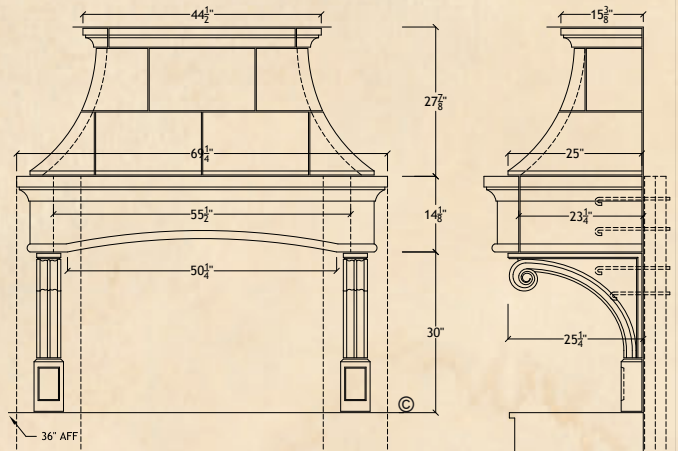
Range Hoods

All pricing based on 9' ceiling. \$350 per foot up to 11'.



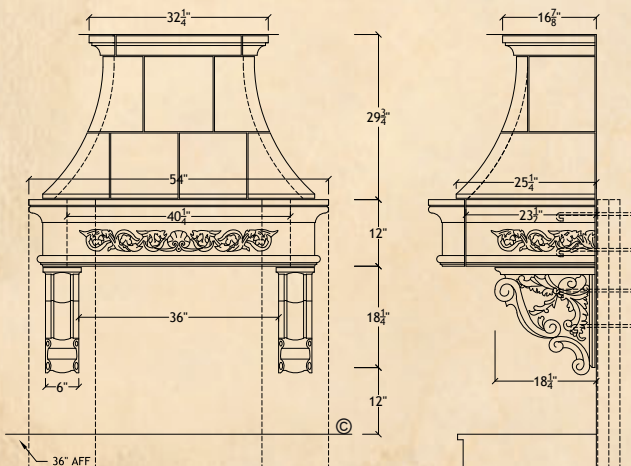
Bentwood™

- 36" Bentwood
- 42" Bentwood
- 48" Bentwood
- 60" Bentwood



48" Bentwood Range Hood for 9' ceiling

- 36" Le Petite
- 42" Le Petite
- 48" Le Petite
- 60" Le Petite



36" Le Petite Range Hood for 9' ceiling

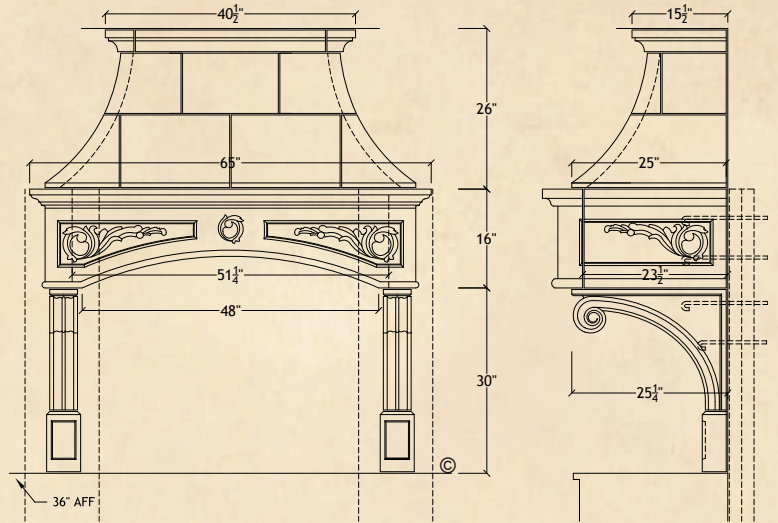


Le Petite™



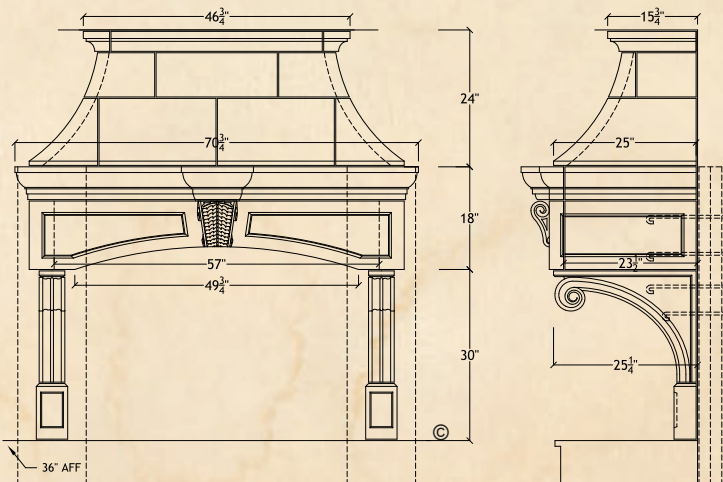
Florentine™

- 36" Florentine
- 42" Florentine
- 48" Florentine
- 60" Florentine



48" Florentine Range Hood for 9' ceiling

- 36" Rothchild
- 42" Rothchild
- 48" Rothchild
- 60" Rothchild



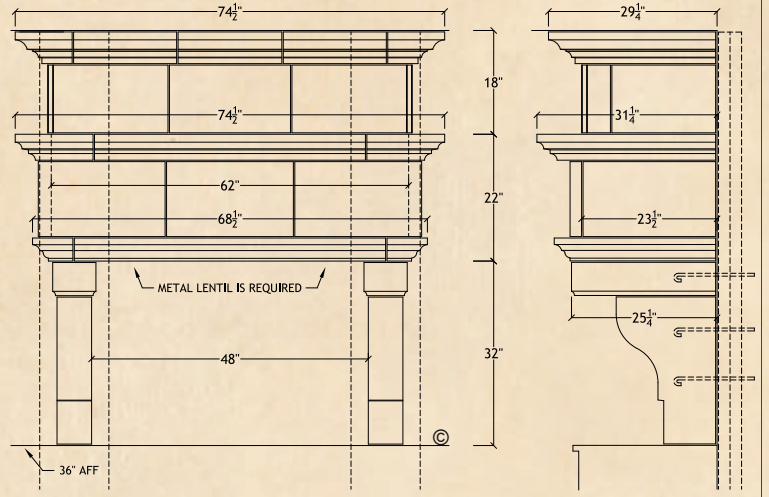
48" Rothchild Range Hood for 9' ceiling



Rothchild™

Tuscany[™]

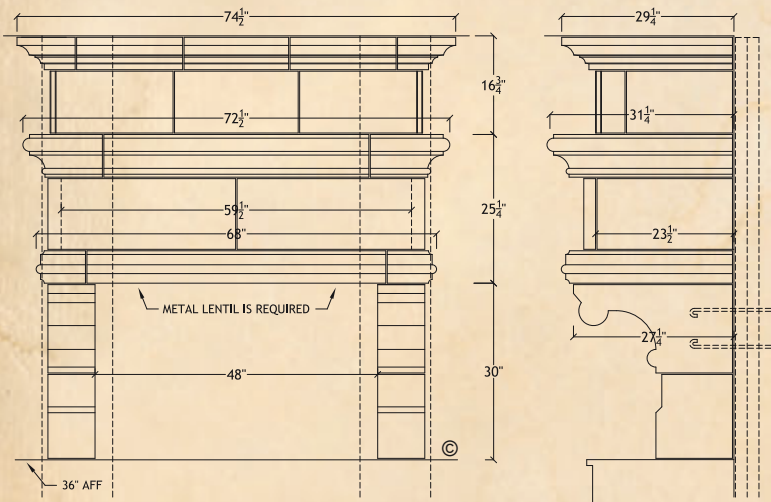
36" Tuscany
 42" Tuscany
 48" Tuscany
 60" Tuscany



48" Tuscany Range Hood for 9' ceiling

36" Waverley
 42" Waverley
 48" Waverley
 60" Waverley

Waverley[™]



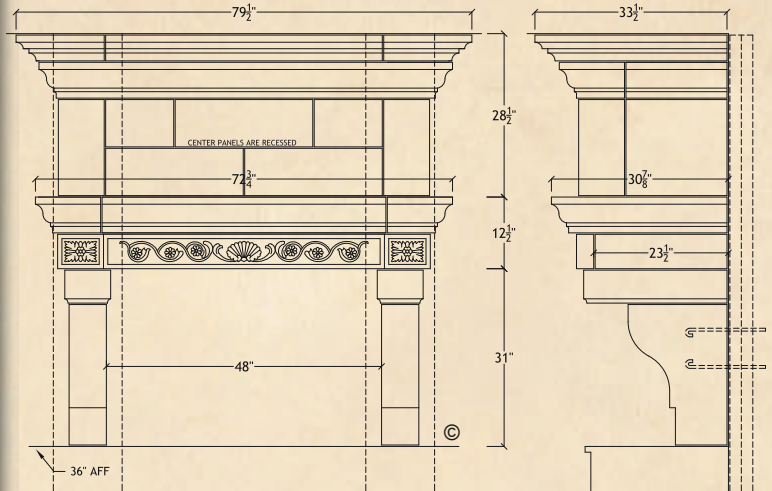
48" Waverley Range Hood for 9' ceiling



Rhapsody™

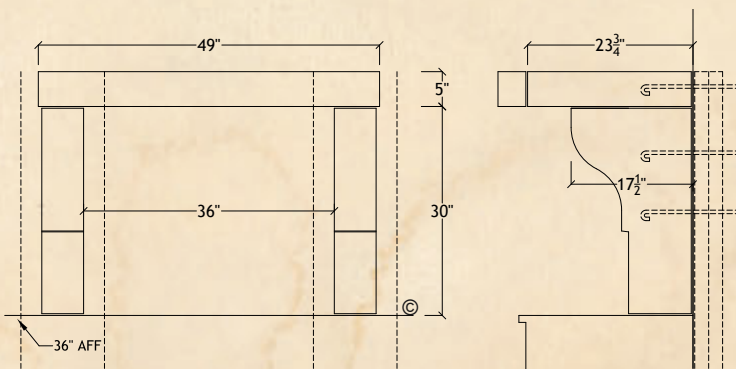


36" Rhapsody
 42" Rhapsody
 48" Rhapsody
 60" Rhapsody



48" Rhapsody Range Hood for 9' ceiling

36" Modern
 42" Modern
 48" Modern
 60" Modern



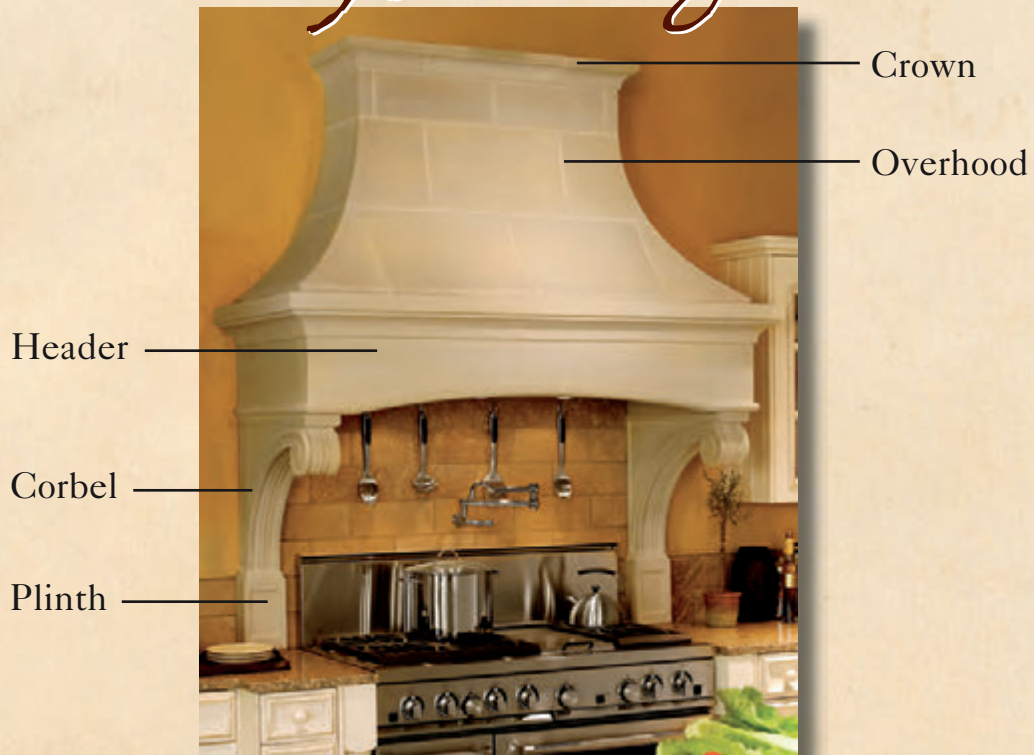
36" Modern Range Hood



Anatomy of a Fireplace



Anatomy of a Range Hood



Old World Stoneworks™

5400 Miller Avenue

Dallas, TX 75206

800.600.8336

EMAIL: info@oldworldstoneworks.com



www.oldworldstoneworks.com